

**Pulegge trapezoidali per bussola conica**  
**V-Belt pulleys for taper bushes**  
**Keilriemenscheiben für spannbuchsen**  
**Poulies trapézoïdales à moyeu amovible**  
**Poleas trapezoidales**  
**para casquillos conicos (taper)**



Le pulegge per cinghie trapezoidali presentate dalla Sati SpA nel presente catalogo sono tutte costruite secondo le tabelle ISO 4183 e DIN 2211-3.

V-belt pulleys proposed by Sati SpA in this catalogue are all manufactured according to ISO 4183 and DIN 2211-3 norms.

Die Keilriemenscheiben, die von Sati SpA in diesem Katalog dargestellt sind, sind alle nach ISO 4183 und DIN 2211-3 hergestellt worden.

Les poulies trapézoïdales présentées par la Sati SpA sur ce catalogue sont toutes fabriquées suivant les normes ISO 4183 et DIN 2211-3.

Las poleas para correas trapezoidales presentadas por la Sati SpA en el presente catálogo están todas construidas según las tablas ISO 4183 y DIN 2211-3.

Il materiale impiegato nella costruzione delle medesime è in ghisa EN-GJL-200 UNI EN 1561 e, successivamente alle lavorazioni meccaniche, subiscono un trattamento superficiale di FOSFATAZIONE.

The material used for the construction of these pulleys is cast iron EN-GJL-200 UNI EN 1561 and after the machining all pulleys are being PHOSPHATED.

Das fuer die Produktion verwendete Material ist Grauguss EN-GJL-200 UNI EN 1561 und nach der Bearbeitung werden alle Keilriemenscheiben PHOSPHATIERT.

Le materiel utilisé pour la fabrication des poulies est la fonte EN-GJL-200 UNI EN 1561 et après l'usinage elles sont toutes exposées à un traitement de PHOSPHATATION.

El material empleado en la construcción de las mismas es el hierro fundido EN-GJL-200 UNI EN 1561 y después de las elaboraciones mecánicas están sometidas a un tratamiento superficial de FOSFATACIÓN.

Tutte le pulegge sono equilibrate STATICAMENTE ed idonee ad un funzionamento fino alla velocità periferica di 35 m/s.

All pulleys are STATICALLY balanced and suitable for peripheral speed up to 35 m/s.

Alle Keilriemenscheiben sind STATISCH ausgewuchtet und fuer eine peripherische Betriebsgeschwindigkeit bis 35 m/s.

Toutes les poulies sont équilibrées STATIQUEMENT et propres à tourner à une vitesse périphérique jusqu'à 35 m/s.

Todas las poleas están equilibradas ESTÁTICAMENTE y son adecuadas para un funcionamiento de una velocidad de hasta 35 m/s.

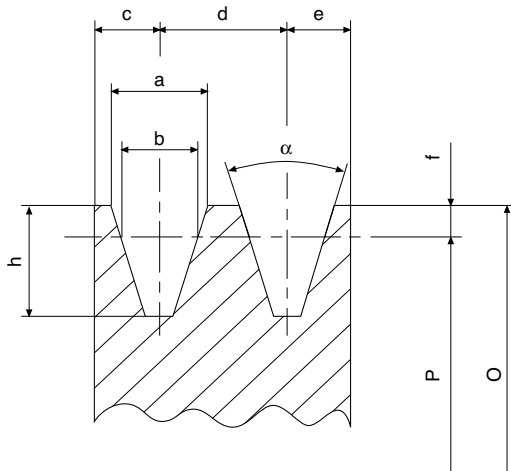
La gamma proposta nel seguente catalogo, comprende: PULEGGE TRAPEZOIDALI, per bussola conica, serie ZT..... AT..... BT..... CT..... PULEGGE TRAPEZOIDALI monoblocco (con mozzo pieno) serie ZM..... AM..... BM..... CM.....

The range proposed in this catalogue is the following: V-BELT PULLEYS for taper bush, series ZT..... AT..... BT..... CT..... V-BELT PULLEYS with solid hub, series ZM..... AM..... BM..... CM.....

Die in diesem Katalog angegebene Palette ist die folgende: KEILRIEMENSCHLEIBEN fuer Spannbuchse, Serie ZT..... AT..... BT..... CT..... KEILRIEMENSCHLEIBEN ungebohrt, Serie ZM..... AM..... BM..... CM.....

La gamme proposée dans ce catalogue est la suivante: POULIES TRAPEZOIDALES pour moyeu amovible, série ZT..... AT..... BT..... CT..... POULIES TRAPEZOIDALES à moyeu plein, série ZM..... AM..... BM..... CM.....

La gama propuesta en el siguiente catálogo comprende: POLEAS TRAPEZOIDALES para casquillos cónicos, serie ZT..... AT..... BT..... CT..... POLEAS TRAPEZOIDALES con cubo pleno, serie ZM..... AM..... BM..... CM.....



**Calcolo della velocità periferica Vp in m/s**  
**Calculation of peripheral speed Vp in m/s**  
**Berechnung der Umfangsgeschwindigkeit Vp in m/s**  
**Calcul de la vitesse périphérique Vp m/s**  
**Cálculo de la velocidad periférica Vp en m/s**

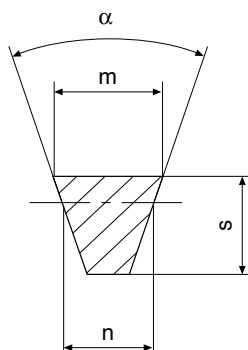
$$V_p = \frac{\pi \cdot P \cdot \text{rpm}}{60 \cdot 1000} \cong \frac{P \cdot \text{rpm}}{19100} \quad V_p \leq 35 \text{ m/s}$$

P = Diametro primitivo in mm  
 Pitch diameter in mm  
 Teildurchmesser in mm  
 Diamètre primitif en mm  
 Diámetro primitivo en mm

rpm = Giri al minuto  
 Revolutions per minute  
 Umdrehungen pro Minute  
 Tours par minute  
 Revoluciones por minuto

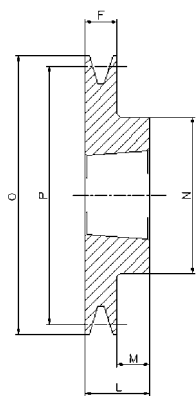
**Dimensioni puleggia    Pulley dimintions    Keilriemenscheibeabmessungen    Dimensions poulie    Dimensiones polea**

|            | a    | b    | c    | d    | e    | f   | h    | 34°      | 38°     |
|------------|------|------|------|------|------|-----|------|----------|---------|
| <b>SPZ</b> | 9,7  | 8,5  | 8,0  | 12,0 | 8,0  | 2,0 | 11,0 | P <= 80  | P > 80  |
| <b>SPA</b> | 12,7 | 11,0 | 10,0 | 15,0 | 10,0 | 2,8 | 13,8 | P <= 118 | P > 118 |
| <b>SPB</b> | 16,3 | 14,0 | 12,5 | 19,0 | 12,5 | 3,5 | 17,5 | P <= 190 | P > 190 |
| <b>SPC</b> | 22,0 | 19,0 | 17,0 | 25,5 | 17,0 | 4,8 | 23,8 | P <= 315 | P > 315 |

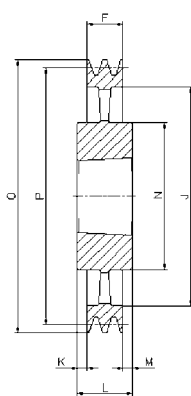


**Dimensioni cinghia / Belt dimintions / Riemenabmessungen**  
**Dimensions courroie / Dimensiones correa**

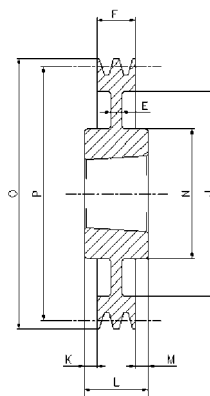
|            | m    | s  | n    |
|------------|------|----|------|
| <b>SPZ</b> | 9,7  | 8  | 8,5  |
| <b>SPA</b> | 12,7 | 10 | 11,0 |
| <b>SPB</b> | 16,3 | 13 | 14,0 |
| <b>SPC</b> | 22,0 | 18 | 19,0 |



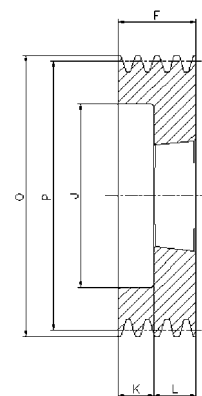
1



4



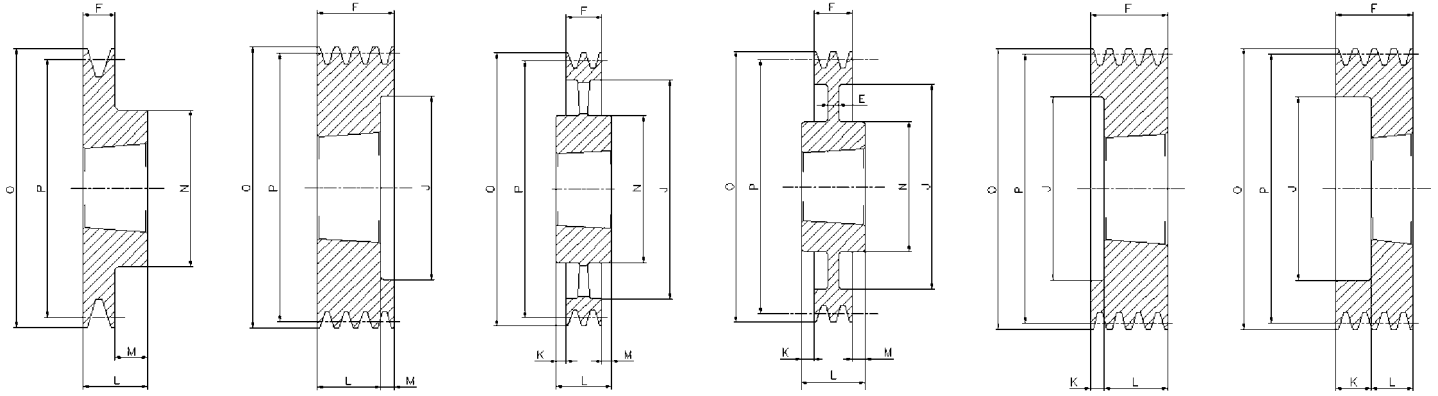
7



9

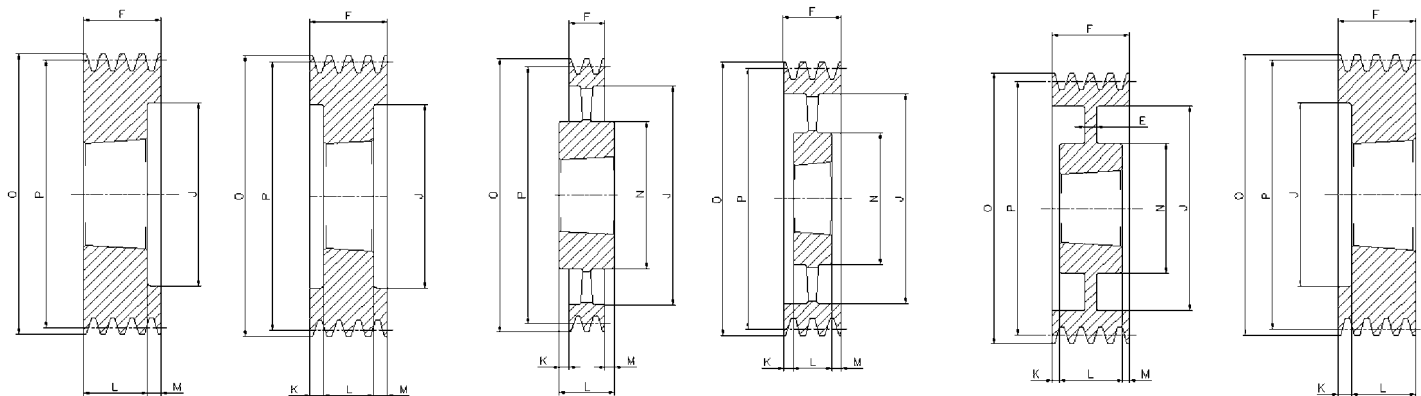
# SPZ/1

| Cod. interno<br>Internal code<br>Innerer Code<br>Code interne<br>Código interno | Tipo<br>Type<br>Typ<br>Type<br>Tipo | Gole<br>Grooves<br>Rillen<br>Gorges<br>Canales | P   | O   | Forma<br>Form<br>Forme<br>Forme<br>Forma | Bussola<br>Bush<br>Buchse<br>Moyeu<br>Casquillo | ∅<br>MAX | E  | F  | J   | K    | L  | M    | N   |
|---|-------------------------------------|--|-----|-----|--|---|----------|----|----|-----|------|----|------|-----|
| ZT00501   | SPZ 50-01                           | 1  | 50  | 54  | 9  | 1008  | 25       | -  | 37 | 26  | 12,0 | 25 | -    | -   |
| ZT00561   | SPZ 56-01                           | 1  | 56  | 60  | 9  | 1008  | 25       | -  | 37 | 32  | 12,0 | 25 | -    | -   |
| ZT00601   | SPZ 60-01                           | 1  | 60  | 64  | 1  | 1008  | 25       | -  | 22 | -   | -    | 22 | -    | -   |
| ZT00631   | SPZ 63-01                           | 1  | 63  | 67  | 1  | 1108  | 28       | -  | 16 | -   | -    | 22 | 6,0  | 56  |
| ZT00671   | SPZ 67-01                           | 1  | 67  | 71  | 1  | 1108  | 28       | -  | 16 | -   | -    | 22 | 6,0  | 60  |
| ZT00711   | SPZ 71-01                           | 1  | 71  | 75  | 1  | 1108  | 28       | -  | 16 | -   | -    | 22 | 6,0  | 60  |
| ZT00751   | SPZ 75-01                           | 1  | 75  | 79  | 1  | 1108  | 28       | -  | 16 | -   | -    | 22 | 6,0  | 60  |
| ZT00801   | SPZ 80-01                           | 1  | 80  | 84  | 1  | 1210  | 32       | -  | 16 | -   | -    | 25 | 9,0  | 75  |
| ZT00851   | SPZ 85-01                           | 1  | 85  | 89  | 1  | 1210  | 32       | -  | 16 | -   | -    | 25 | 9,0  | 80  |
| ZT00901   | SPZ 90-01                           | 1  | 90  | 94  | 1  | 1210  | 32       | -  | 16 | -   | -    | 25 | 9,0  | 80  |
| ZT00951   | SPZ 95-01                           | 1  | 95  | 99  | 1  | 1210  | 32       | -  | 16 | -   | -    | 25 | 9,0  | 85  |
| ZT01001   | SPZ100-01                           | 1  | 100 | 104 | 1  | 1210  | 32       | -  | 16 | -   | -    | 25 | 9,0  | 85  |
| ZT01061   | SPZ106-01                           | 1  | 106 | 110 | 1  | 1610  | 42       | -  | 16 | -   | -    | 25 | 9,0  | 92  |
| ZT01121   | SPZ112-01                           | 1  | 112 | 116 | 1  | 1610  | 42       | -  | 16 | -   | -    | 25 | 9,0  | 92  |
| ZT01181   | SPZ118-01                           | 1  | 118 | 122 | 1  | 1610  | 42       | -  | 16 | -   | -    | 25 | 9,0  | 92  |
| ZT01251   | SPZ125-01                           | 1  | 125 | 129 | 1  | 1610  | 42       | -  | 16 | -   | -    | 25 | 9,0  | 92  |
| ZT01321   | SPZ132-01                           | 1  | 132 | 136 | 1  | 1610  | 42       | -  | 16 | -   | -    | 25 | 9,0  | 92  |
| ZT01401   | SPZ140-01                           | 1  | 140 | 144 | 1  | 1610  | 42       | -  | 16 | -   | -    | 25 | 9,0  | 92  |
| ZT01501   | SPZ150-01                           | 1  | 150 | 154 | 1  | 1610  | 42       | -  | 16 | -   | -    | 25 | 9,0  | 92  |
| ZT01601   | SPZ160-01                           | 1  | 160 | 164 | 1  | 1610  | 42       | -  | 16 | -   | -    | 25 | 9,0  | 92  |
| ZT01701   | SPZ170-01                           | 1  | 170 | 174 | 1  | 1610  | 42       | -  | 16 | -   | -    | 25 | 9,0  | 92  |
| ZT01801   | SPZ180-01                           | 1  | 180 | 184 | 7  | 1610  | 42       | 6  | 16 | 152 | -    | 25 | 9,0  | 92  |
| ZT01901   | SPZ190-01                           | 1  | 190 | 194 | 7  | 1610  | 42       | 12 | 16 | 162 | -    | 25 | 9,0  | 92  |
| ZT02001   | SPZ200-01                           | 1  | 200 | 204 | 7  | 2012  | 50       | 10 | 16 | 171 | -    | 32 | 16,0 | 112 |
| ZT02241   | SPZ224-01                           | 1  | 224 | 228 | 7  | 2012  | 50       | 15 | 16 | 195 | -    | 32 | 16,0 | 112 |
| ZT02501   | SPZ250-01                           | 1  | 250 | 254 | 4  | 2012  | 50       | -  | 16 | 221 | 8,0  | 32 | 8,0  | 112 |
| ZT02801   | SPZ280-01                           | 1  | 280 | 284 | 4  | 2012  | 50       | -  | 16 | 251 | 8,0  | 32 | 8,0  | 112 |
| ZT03151   | SPZ315-01                           | 1  | 315 | 319 | 4  | 2012  | 50       | -  | 16 | 286 | 8,0  | 32 | 8,0  | 112 |
| ZT03551   | SPZ355-01                           | 1  | 355 | 359 | 4  | 2012  | 50       | -  | 16 | 326 | 8,0  | 32 | 8,0  | 112 |
| ZT04001   | SPZ400-01                           | 1  | 400 | 404 | 4  | 2012  | 50       | -  | 16 | 371 | 8,0  | 32 | 8,0  | 112 |
| ZT04501   | SPZ450-01                           | 1  | 450 | 454 | 4  | 2517  | 60       | -  | 16 | 421 | 14,5 | 45 | 14,5 | 124 |

**1****2****4****7****8****9**

# SPZ/2

| Cod. interno<br>Internal code<br>Innerer Code<br>Code interne<br>Código interno | Tipo<br>Type<br>Typ<br>Type<br>Tipo | Gole<br>Grooves<br>Rillen<br>Gorges<br>Canales | P          | O   | Forma<br>Form<br>Forme<br>Forme<br>Forma | Bussola<br>Bush<br>Buchse<br>Moyeu<br>Casquillo | Ø<br>MAX | E  | F  | J   | K    | L  | M   | N   |
|---|-------------------------------------|--|------------|-----|--|---|----------|----|----|-----|------|----|-----|-----|
| ZT00502   | SPZ 50-02                           | 2  | <b>50</b>  | 54  | 9  | 1008  | 25       | -  | 50 | 26  | 25,0 | 25 | -   | -   |
| ZT00562   | SPZ 56-02                           | 2  | <b>56</b>  | 60  | 9  | 1008  | 25       | -  | 49 | 32  | 27,0 | 22 | -   | -   |
| ZT00602   | SPZ 60-02                           | 2  | <b>60</b>  | 64  | 9  | 1108  | 28       | -  | 49 | 36  | 27,0 | 22 | -   | -   |
| ZT00632   | SPZ 63-02                           | 2  | <b>63</b>  | 67  | 8  | 1108  | 28       | -  | 28 | 40  | 6,0  | 22 | -   | -   |
| ZT00672   | SPZ 67-02                           | 2  | <b>67</b>  | 71  | 8  | 1108  | 28       | -  | 28 | 42  | 6,0  | 22 | -   | -   |
| ZT00712   | SPZ 71-02                           | 2  | <b>71</b>  | 75  | 8  | 1108  | 28       | -  | 28 | 42  | 6,0  | 22 | -   | -   |
| ZT00752   | SPZ 75-02                           | 2  | <b>75</b>  | 79  | 8  | 1210  | 32       | -  | 28 | 51  | 3,0  | 25 | -   | -   |
| ZT00802   | SPZ 80-02                           | 2  | <b>80</b>  | 84  | 8  | 1210  | 32       | -  | 28 | 51  | 3,0  | 25 | -   | -   |
| ZT00852   | SPZ 85-02                           | 2  | <b>85</b>  | 89  | 8  | 1610  | 42       | -  | 28 | 60  | 3,0  | 25 | -   | -   |
| ZT00902   | SPZ 90-02                           | 2  | <b>90</b>  | 94  | 8  | 1610  | 42       | -  | 28 | 61  | 3,0  | 25 | -   | -   |
| ZT00952   | SPZ 95-02                           | 2  | <b>95</b>  | 99  | 8  | 1610  | 42       | -  | 28 | 66  | 3,0  | 25 | -   | -   |
| ZT01002   | SPZ100-02                           | 2  | <b>100</b> | 104 | 8  | 1610  | 42       | -  | 28 | 71  | 3,0  | 25 | -   | -   |
| ZT01062   | SPZ106-02                           | 2  | <b>106</b> | 110 | 8  | 1610  | 42       | -  | 28 | 76  | 3,0  | 25 | -   | -   |
| ZT01122   | SPZ112-02                           | 2  | <b>112</b> | 116 | 8  | 1610  | 42       | -  | 28 | 83  | 3,0  | 25 | -   | -   |
| ZT01182   | SPZ118-02                           | 2  | <b>118</b> | 122 | 8  | 1610  | 42       | -  | 28 | 90  | 3,0  | 25 | -   | -   |
| ZT01252   | SPZ125-02                           | 2  | <b>125</b> | 129 | 8  | 1610  | 42       | -  | 28 | 96  | 3,0  | 25 | -   | -   |
| ZT01322   | SPZ132-02                           | 2  | <b>132</b> | 136 | 8  | 1610  | 42       | -  | 28 | 103 | 3,0  | 25 | -   | -   |
| ZT01402   | SPZ140-02                           | 2  | <b>140</b> | 144 | 8  | 1610  | 42       | -  | 28 | 111 | 3,0  | 25 | -   | -   |
| ZT01502   | SPZ150-02                           | 2  | <b>150</b> | 154 | 1  | 2012  | 50       | -  | 28 | -   | -    | 32 | 4,0 | 112 |
| ZT01602   | SPZ160-02                           | 2  | <b>160</b> | 164 | 1  | 2012  | 50       | -  | 28 | -   | -    | 32 | 4,0 | 112 |
| ZT01702   | SPZ170-02                           | 2  | <b>170</b> | 174 | 1  | 2012  | 50       | -  | 28 | -   | -    | 32 | 4,0 | 112 |
| ZT01802   | SPZ180-02                           | 2  | <b>180</b> | 184 | 7  | 2012  | 50       | 6  | 28 | 152 | -    | 32 | 4,0 | 112 |
| ZT01902   | SPZ190-02                           | 2  | <b>190</b> | 194 | 7  | 2012  | 50       | 12 | 28 | 162 | -    | 32 | 4,0 | 112 |
| ZT02002   | SPZ200-02                           | 2  | <b>200</b> | 204 | 7  | 2012  | 50       | 6  | 28 | 171 | -    | 32 | 4,0 | 112 |
| ZT02242   | SPZ224-02                           | 2  | <b>224</b> | 228 | 4  | 2012  | 50       | 15 | 28 | 195 | -    | 32 | 4,0 | 112 |
| ZT02502   | SPZ250-02                           | 2  | <b>250</b> | 254 | 4  | 2012  | 50       | -  | 28 | 221 | 2,0  | 32 | 2,0 | 112 |
| ZT02802   | SPZ280-02                           | 2  | <b>280</b> | 284 | 4  | 2012  | 50       | -  | 28 | 251 | 2,0  | 32 | 2,0 | 112 |
| ZT03152   | SPZ315-02                           | 2  | <b>315</b> | 319 | 4  | 2012  | 50       | -  | 28 | 286 | 2,0  | 32 | 2,0 | 112 |
| ZT03552   | SPZ355-02                           | 2  | <b>355</b> | 359 | 4  | 2012  | 50       | -  | 28 | 326 | 2,0  | 32 | 2,0 | 112 |
| ZT04002   | SPZ400-02                           | 2  | <b>400</b> | 404 | 4  | 2517  | 60       | -  | 28 | 371 | 8,5  | 45 | 8,5 | 124 |
| ZT04502   | SPZ450-02                           | 2  | <b>450</b> | 454 | 4  | 2517  | 60       | -  | 28 | 421 | 8,5  | 45 | 8,5 | 124 |



2

3

4

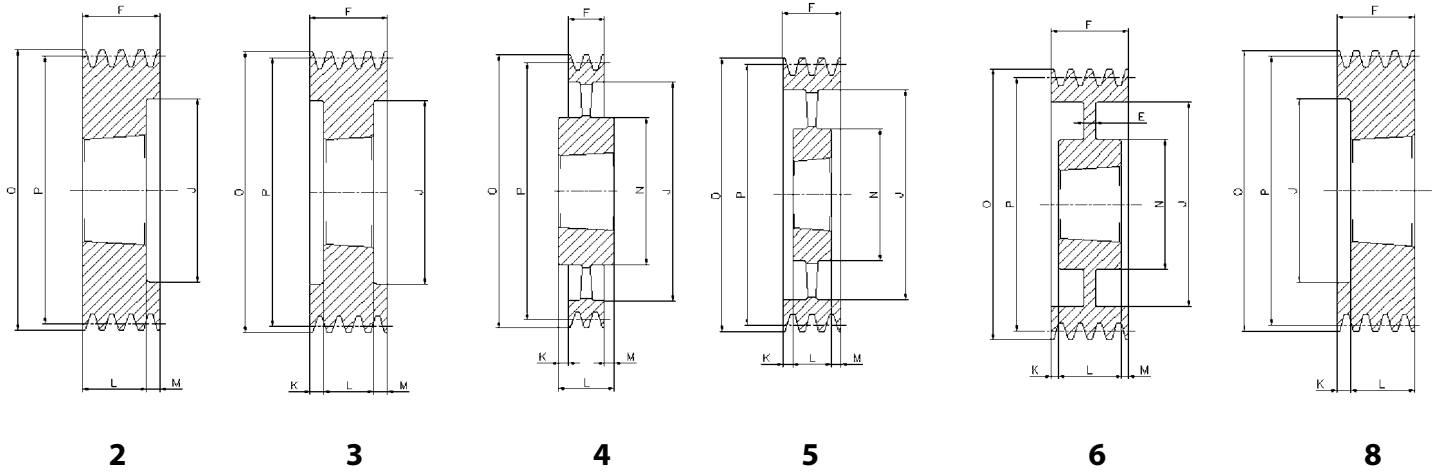
5

6

8

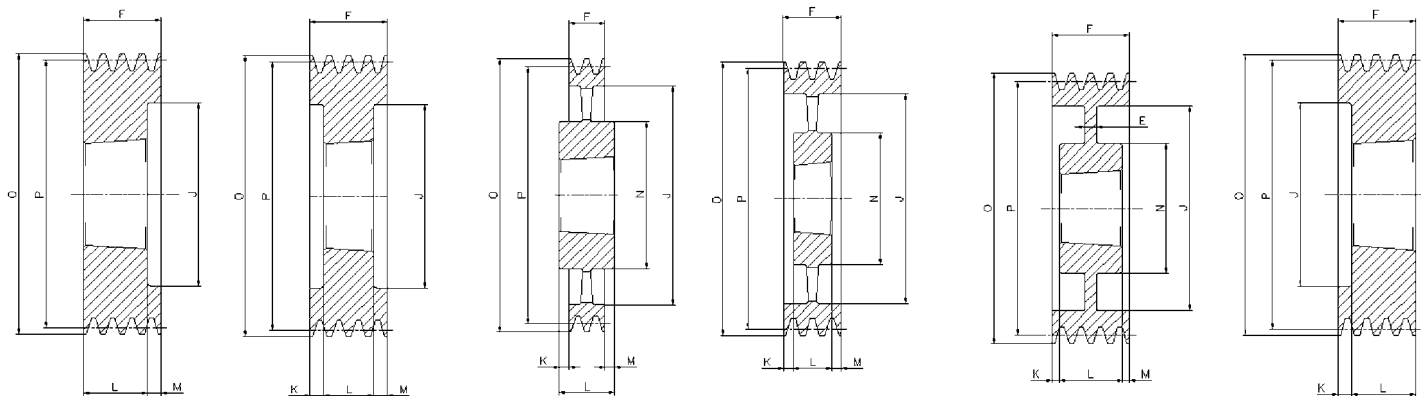
# SPZ/3

| Cod. interno<br>Internal code<br>Innerer Code<br>Code interne<br>Código interno | Tipo<br>Type<br>Typ<br>Type<br>Tipo | Gole<br>Grooves<br>Rillen<br>Gorges<br>Canales | P   | O   | Forma<br>Form<br>Forme<br>Forme<br>Forma | Bussola<br>Bush<br>Buchse<br>Moyeu<br>Casquillo | Ø<br>MAX | E  | F  | J   | K    | L  | M   | N   |
|---|-------------------------------------|--|-----|-----|--|---|----------|----|----|-----|------|----|-----|-----|
| ZT00633   | SPZ63-03                            | 3  | 63  | 67  | 8  | 1108  | 28       | -  | 40 | 40  | -    | 22 | -   | -   |
| ZT00673   | SPZ67-03                            | 3  | 67  | 71  | 8  | 1108  | 28       | -  | 40 | 42  | 18,0 | 22 | -   | -   |
| ZT00713   | SPZ71-03                            | 3  | 71  | 75  | 8  | 1108  | 28       | -  | 40 | 42  | 18,0 | 22 | -   | -   |
| ZT00753   | SPZ75-03                            | 3  | 75  | 79  | 8  | 1210  | 32       | -  | 40 | 51  | 15,0 | 25 | -   | -   |
| ZT00803   | SPZ80-03                            | 3  | 80  | 84  | 8  | 1210  | 32       | -  | 40 | 51  | 15,0 | 25 | -   | -   |
| ZT00853   | SPZ85-03                            | 3  | 85  | 89  | 8  | 1610  | 42       | -  | 40 | 60  | 15,0 | 25 | -   | -   |
| ZT00903   | SPZ90-03                            | 3  | 90  | 94  | 8  | 1610  | 42       | -  | 40 | 61  | 15,0 | 25 | -   | -   |
| ZT00953   | SPZ95-03                            | 3  | 95  | 99  | 8  | 1610  | 42       | -  | 40 | 66  | 15,0 | 25 | -   | -   |
| ZT01003   | SPZ100-03                           | 3  | 100 | 104 | 8  | 1610  | 42       | -  | 40 | 71  | 15,0 | 25 | -   | -   |
| ZT01063   | SPZ106-03                           | 3  | 106 | 110 | 8  | 1610  | 42       | -  | 40 | 76  | 15,0 | 25 | -   | -   |
| ZT01123   | SPZ112-03                           | 3  | 112 | 116 | 8  | 2012  | 50       | -  | 40 | 83  | 8,0  | 32 | -   | -   |
| ZT01183   | SPZ118-03                           | 3  | 118 | 122 | 8  | 2012  | 50       | -  | 40 | 90  | 8,0  | 32 | -   | -   |
| ZT01253   | SPZ125-03                           | 3  | 125 | 129 | 2  | 2012  | 50       | -  | 40 | 96  | -    | 32 | 8,0 | -   |
| ZT01323   | SPZ132-03                           | 3  | 132 | 136 | 2  | 2012  | 50       | -  | 40 | 103 | -    | 32 | 8,0 | -   |
| ZT01403   | SPZ140-03                           | 3  | 140 | 144 | 2  | 2012  | 50       | -  | 40 | 111 | -    | 32 | 8,0 | -   |
| ZT01503   | SPZ150-03                           | 3  | 150 | 154 | 2  | 2012  | 50       | -  | 40 | 121 | -    | 32 | 8,0 | -   |
| ZT01603   | SPZ160-03                           | 3  | 160 | 164 | 2  | 2012  | 50       | -  | 40 | 131 | -    | 32 | 8,0 | -   |
| ZT01703   | SPZ170-03                           | 3  | 170 | 174 | 3  | 2012  | 50       | -  | 40 | 141 | 4,0  | 32 | 4,0 | -   |
| ZT01803   | SPZ180-03                           | 3  | 180 | 184 | 6  | 2012  | 50       | 7  | 40 | 151 | -    | 32 | 8,0 | 106 |
| ZT01903   | SPZ190-03                           | 3  | 190 | 194 | 6  | 2012  | 50       | 10 | 40 | 161 | 4,0  | 32 | 4,0 | 112 |
| ZT02003   | SPZ200-03                           | 3  | 200 | 204 | 6  | 2012  | 50       | 10 | 40 | 171 | 4,0  | 32 | 4,0 | 112 |
| ZT02243   | SPZ224-03                           | 3  | 224 | 228 | 6  | 2012  | 50       | 12 | 40 | 195 | 4,0  | 32 | 4,0 | 112 |
| ZT02503   | SPZ250-03                           | 3  | 250 | 254 | 5  | 2012  | 50       | -  | 40 | 221 | 4,0  | 32 | 4,0 | 112 |
| ZT02803   | SPZ280-03                           | 3  | 280 | 284 | 4  | 2517  | 60       | -  | 40 | 251 | 2,5  | 45 | 2,5 | 124 |
| ZT03153   | SPZ315-03                           | 3  | 315 | 319 | 4  | 2517  | 60       | -  | 40 | 286 | 2,5  | 45 | 2,5 | 124 |
| ZT03553   | SPZ355-03                           | 3  | 355 | 359 | 4  | 2517  | 60       | -  | 40 | 326 | 2,5  | 45 | 2,5 | 124 |
| ZT04003   | SPZ400-03                           | 3  | 400 | 404 | 4  | 2517  | 60       | -  | 40 | 371 | 2,5  | 45 | 2,5 | 124 |
| ZT04503   | SPZ450-03                           | 3  | 450 | 454 | 4  | 2517  | 60       | -  | 40 | 421 | 2,5  | 45 | 2,5 | 124 |
| ZT05003   | SPZ500-03                           | 3  | 500 | 504 | 4  | 2517  | 60       | -  | 40 | 471 | 2,5  | 45 | 2,5 | 124 |
| ZT06303   | SPZ630-03                           | 3  | 630 | 634 | 4  | 3020  | 75       | -  | 40 | 601 | 5,5  | 51 | 5,5 | 150 |
| ZT08003   | SPZ800-03                           | 3  | 800 | 804 | 4  | 3020  | 75       | -  | 40 | 771 | 5,5  | 51 | 5,5 | 146 |



# SPZ/4

| Cod. interno<br>Internal code<br>Innerer Code<br>Code interne<br>Código interno | Tipo<br>Type<br>Typ<br>Type<br>Tipo | Gole<br>Grooves<br>Rillen<br>Gorges<br>Canales | P          | O   | Forma<br>Form<br>Forme<br>Forme<br>Forma | Bussola<br>Buchse<br>Moyeu<br>Casquillo | ∅<br>MAX | E  | F  | J   | K    | L  | M    | N   |
|---|-------------------------------------|--|------------|-----|--|---|----------|----|----|-----|------|----|------|-----|
| ZT00804   | SPZ 80-04                           | 4  | <b>80</b>  | 84  | 8  | 1210                                    | 32       | -  | 52 | 51  | 27,0 | 25 | -    | -   |
| ZT00854   | SPZ 85-04                           | 4  | <b>85</b>  | 89  | 8  | 1610                                    | 42       | -  | 52 | 60  | 27,0 | 25 | -    | -   |
| ZT00904   | SPZ 90-04                           | 4  | <b>90</b>  | 94  | 8  | 1610                                    | 42       | -  | 52 | 61  | 27,0 | 25 | -    | -   |
| ZT00954   | SPZ 95-04                           | 4  | <b>95</b>  | 99  | 8  | 1610                                    | 42       | -  | 52 | 66  | 27,0 | 25 | -    | -   |
| ZT01004   | SPZ100-04                           | 4  | <b>100</b> | 104 | 8  | 1610                                    | 42       | -  | 52 | 71  | 27,0 | 25 | -    | -   |
| ZT01064   | SPZ106-04                           | 4  | <b>106</b> | 110 | 8  | 1610                                    | 42       | -  | 52 | 76  | 27,0 | 25 | -    | -   |
| ZT01124   | SPZ112-04                           | 4  | <b>112</b> | 116 | 8  | 2012                                    | 50       | -  | 52 | 83  | 20,0 | 32 | -    | -   |
| ZT01184   | SPZ118-04                           | 4  | <b>118</b> | 122 | 8  | 2012                                    | 50       | -  | 52 | 90  | 20,0 | 32 | -    | -   |
| ZT01254   | SPZ125-04                           | 4  | <b>125</b> | 129 | 2  | 2012                                    | 50       | -  | 52 | 96  | -    | 32 | 20,0 | -   |
| ZT01324   | SPZ132-04                           | 4  | <b>132</b> | 136 | 2  | 2012                                    | 50       | -  | 52 | 103 | -    | 32 | 20,0 | -   |
| ZT01404   | SPZ140-04                           | 4  | <b>140</b> | 144 | 2  | 2012                                    | 50       | -  | 52 | 111 | -    | 32 | 20,0 | -   |
| ZT01504   | SPZ150-04                           | 4  | <b>150</b> | 154 | 2  | 2517                                    | 60       | -  | 52 | 121 | -    | 45 | 7,0  | -   |
| ZT01604   | SPZ160-04                           | 4  | <b>160</b> | 164 | 2  | 2517                                    | 60       | -  | 52 | 131 | -    | 45 | 7,0  | -   |
| ZT01704   | SPZ170-04                           | 4  | <b>170</b> | 174 | 2  | 2517                                    | 60       | -  | 52 | 141 | -    | 45 | 7,0  | -   |
| ZT01804   | SPZ180-04                           | 4  | <b>180</b> | 184 | 2  | 2517                                    | 60       | -  | 52 | 151 | -    | 45 | 7,0  | -   |
| ZT01904   | SPZ190-04                           | 4  | <b>190</b> | 194 | 3  | 2517                                    | 60       | -  | 52 | 161 | 3,5  | 45 | 3,5  | -   |
| ZT02004   | SPZ200-04                           | 4  | <b>200</b> | 204 | 6  | 2517                                    | 60       | 8  | 52 | 171 | 3,5  | 45 | 3,5  | 124 |
| ZT02244   | SPZ224-04                           | 4  | <b>224</b> | 228 | 6  | 2517                                    | 60       | 14 | 52 | 195 | 3,5  | 45 | 3,5  | 124 |
| ZT02504   | SPZ250-04                           | 4  | <b>250</b> | 254 | 6  | 2517                                    | 60       | 12 | 52 | 221 | 3,5  | 45 | 3,5  | 124 |
| ZT02804   | SPZ280-04                           | 4  | <b>280</b> | 284 | 6  | 2517                                    | 60       | 14 | 52 | 251 | 3,5  | 45 | 3,5  | 124 |
| ZT03154   | SPZ315-04                           | 4  | <b>315</b> | 319 | 5  | 2517                                    | 60       | -  | 52 | 286 | 3,5  | 45 | 3,5  | 124 |
| ZT03554   | SPZ355-04                           | 4  | <b>355</b> | 359 | 5  | 2517                                    | 60       | -  | 52 | 326 | 3,5  | 45 | 3,5  | 124 |
| ZT04004   | SPZ400-04                           | 4  | <b>400</b> | 404 | 5  | 2517                                    | 60       | -  | 52 | 371 | 3,5  | 45 | 3,5  | 124 |
| ZT04504   | SPZ450-04                           | 4  | <b>450</b> | 454 | 5  | 3020                                    | 75       | -  | 52 | 421 | 0,5  | 51 | 0,5  | 146 |
| ZT05004   | SPZ500-04                           | 4  | <b>500</b> | 504 | 5  | 3020                                    | 75       | -  | 52 | 471 | 0,5  | 51 | 0,5  | 146 |
| ZT06304   | SPZ630-04                           | 4  | <b>630</b> | 634 | 4  | 3030                                    | 75       | -  | 52 | 601 | 12,0 | 76 | 12,0 | 146 |
| ZT08004   | SPZ800-04                           | 4  | <b>800</b> | 804 | 4  | 3030                                    | 75       | -  | 52 | 771 | 12,0 | 76 | 12,0 | 146 |



2

3

4

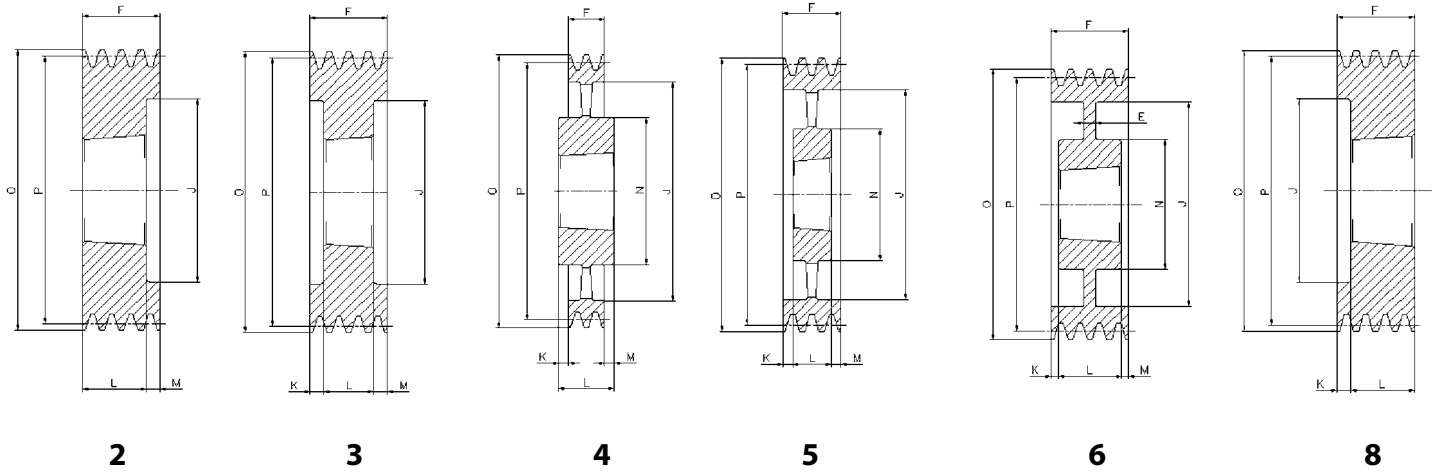
5

6

8

# SPZ/5

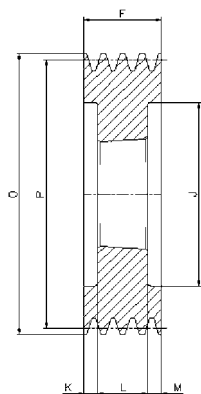
| Cod. interno<br>Internal code<br>Inner Code<br>Code interne<br>Código interno | Tipo<br>Type<br>Typ<br>Type<br>Tipo | Gole<br>Grooves<br>Rillen<br>Gorges<br>Canales | P   | O   | Forma<br>Form<br>Forme<br>Forme<br>Forma | Bussola<br>Bush<br>Buchse<br>Moyeu<br>Casquillo | ∅<br>MAX | E  | F  | J   | K    | L  | M    | N   |
|---|-------------------------------------|--|-----|-----|--|---|----------|----|----|-----|------|----|------|-----|
| ZT00855   | SPZ 85-05                           | 5  | 85  | 89  | 8  | 1610  | 42       | -  | 64 | 60  | 39,0 | 25 | -    | -   |
| ZT00905   | SPZ 90-05                           | 5  | 90  | 94  | 8  | 1610  | 42       | -  | 64 | 61  | 39,0 | 25 | -    | -   |
| ZT00955   | SPZ 95-05                           | 5  | 95  | 99  | 8  | 1610  | 42       | -  | 64 | 66  | 39,0 | 25 | -    | -   |
| ZT01005   | SPZ100-05                           | 5  | 100 | 104 | 8  | 2012  | 50       | -  | 64 | 71  | 32,0 | 32 | -    | -   |
| ZT01065   | SPZ106-05                           | 5  | 106 | 110 | 8  | 2012  | 50       | -  | 64 | 76  | 32,0 | 32 | -    | -   |
| ZT01125   | SPZ112-05                           | 5  | 112 | 116 | 8  | 2012  | 50       | -  | 64 | 83  | 32,0 | 32 | -    | -   |
| ZT01185   | SPZ118-05                           | 5  | 118 | 122 | 8  | 2012  | 50       | -  | 64 | 90  | 32,0 | 32 | -    | -   |
| ZT01255   | SPZ125-05                           | 5  | 125 | 129 | 8  | 2012  | 50       | -  | 64 | 96  | 32,0 | 32 | -    | -   |
| ZT01325   | SPZ132-05                           | 5  | 132 | 136 | 8  | 2517  | 60       | -  | 64 | 103 | 19,0 | 45 | 19,0 | -   |
| ZT01405   | SPZ140-05                           | 5  | 140 | 144 | 2  | 2517  | 60       | -  | 64 | 111 | -    | 45 | 19,0 | -   |
| ZT01505   | SPZ150-05                           | 5  | 150 | 154 | 2  | 2517  | 60       | -  | 64 | 121 | -    | 45 | 19,0 | -   |
| ZT01605   | SPZ160-05                           | 5  | 160 | 164 | 2  | 2517  | 60       | -  | 64 | 131 | -    | 45 | 19,0 | -   |
| ZT01705   | SPZ170-05                           | 5  | 170 | 174 | 2  | 2517  | 60       | -  | 64 | 141 | -    | 45 | 19,0 | -   |
| ZT01805   | SPZ180-05                           | 5  | 180 | 184 | 2  | 2517  | 60       | -  | 64 | 151 | -    | 45 | 19,0 | -   |
| ZT01905   | SPZ190-05                           | 5  | 190 | 194 | 3  | 2517  | 60       | -  | 64 | 161 | 9,5  | 45 | 9,5  | -   |
| ZT02005   | SPZ200-05                           | 5  | 200 | 204 | 3  | 2517  | 60       | -  | 64 | 171 | 9,5  | 45 | 9,5  | -   |
| ZT02245   | SPZ224-05                           | 5  | 224 | 228 | 6  | 2517  | 60       | 20 | 64 | 195 | 9,5  | 45 | 9,5  | 124 |
| ZT02505   | SPZ250-05                           | 5  | 250 | 254 | 6  | 2517  | 60       | 16 | 64 | 221 | 9,5  | 45 | 9,5  | 124 |
| ZT02805   | SPZ280-05                           | 5  | 280 | 284 | 6  | 2517  | 60       | 15 | 64 | 251 | 9,5  | 45 | 9,5  | 124 |
| ZT03155   | SPZ315-05                           | 5  | 315 | 319 | 5  | 2517  | 60       | -  | 64 | 286 | 9,5  | 45 | 9,5  | 124 |
| ZT03555   | SPZ355-05                           | 5  | 355 | 359 | 5  | 2517  | 60       | -  | 64 | 326 | 9,5  | 45 | 9,5  | 124 |
| ZT04005   | SPZ400-05                           | 5  | 400 | 404 | 5  | 3020  | 75       | -  | 64 | 371 | 6,5  | 51 | 6,5  | 146 |
| ZT04505   | SPZ450-05                           | 5  | 450 | 454 | 5  | 3020  | 75       | -  | 64 | 421 | 6,5  | 51 | 6,5  | 146 |
| ZT05005   | SPZ500-05                           | 5  | 500 | 504 | 4  | 3030  | 75       | -  | 64 | 471 | 6,0  | 76 | 6,0  | 146 |
| ZT06305   | SPZ630-05                           | 5  | 630 | 634 | 4  | 3030  | 75       | -  | 64 | 601 | 6,0  | 76 | 6,0  | 146 |
| ZT08005   | SPZ800-05                           | 5  | 800 | 804 | 4  | 3535  | 90       | -  | 64 | 771 | 12,5 | 89 | 12,5 | 178 |



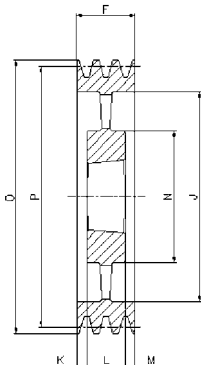
# SPZ/6

| Cod. interno<br>Internal code<br>Innerer Code<br>Code interne<br>Código interno | Tipo<br>Type<br>Typ<br>Type<br>Tipo | Gole<br>Grooves<br>Rillen<br>Gorges<br>Canales | P          | O   | Forma<br>Form<br>Forme<br>Forme<br>Forma | Bussola<br>Bush<br>Buchse<br>Moyeu<br>Casquillo | ∅<br>MAX | E  | F  | J   | K    | L  | M    | N   |
|---|-------------------------------------|--|------------|-----|--|---|----------|----|----|-----|------|----|------|-----|
| ZT00906   | SPZ 90-06                           | 6  | <b>90</b>  | 94  | 8  | 1610  | 42       | -  | 76 | 61  | 51,0 | 25 | -    | -   |
| ZT00956   | SPZ 95-06                           | 6  | <b>95</b>  | 99  | 8  | 1610  | 42       | -  | 76 | 66  | 51,0 | 25 | -    | -   |
| ZT01006   | SPZ100-06                           | 6  | <b>100</b> | 104 | 8  | 2012  | 50       | -  | 76 | 71  | 44,0 | 32 | -    | -   |
| ZT01066   | SPZ106-06                           | 6  | <b>106</b> | 110 | 8  | 2012  | 50       | -  | 76 | 76  | 44,0 | 32 | -    | -   |
| ZT01126   | SPZ112-06                           | 6  | <b>112</b> | 116 | 8  | 2012  | 50       | -  | 76 | 83  | 44,0 | 32 | -    | -   |
| ZT01186   | SPZ118-06                           | 6  | <b>118</b> | 122 | 8  | 2517  | 60       | -  | 76 | 90  | 31,0 | 45 | -    | -   |
| ZT01256   | SPZ125-06                           | 6  | <b>125</b> | 129 | 8  | 2517  | 60       | -  | 76 | 96  | 31,0 | 45 | -    | -   |
| ZT01326   | SPZ132-06                           | 6  | <b>132</b> | 136 | 8  | 2517  | 60       | -  | 76 | 103 | 31,0 | 45 | -    | -   |
| ZT01406   | SPZ140-06                           | 6  | <b>140</b> | 144 | 2  | 2517  | 60       | -  | 76 | 111 | -    | 45 | 31,0 | -   |
| ZT01506   | SPZ150-06                           | 6  | <b>150</b> | 154 | 2  | 2517  | 60       | -  | 76 | 121 | -    | 45 | 31,0 | -   |
| ZT01606   | SPZ160-06                           | 6  | <b>160</b> | 164 | 2  | 2517  | 60       | -  | 76 | 131 | -    | 45 | 31,0 | -   |
| ZT01706   | SPZ170-06                           | 6  | <b>170</b> | 174 | 2  | 2517  | 60       | -  | 76 | 141 | -    | 45 | 31,0 | -   |
| ZT01806   | SPZ180-06                           | 6  | <b>180</b> | 184 | 3  | 2517  | 60       | -  | 76 | 151 | 15,5 | 45 | 15,5 | -   |
| ZT01906   | SPZ190-06                           | 6  | <b>190</b> | 194 | 3  | 2517  | 60       | -  | 76 | 161 | 15,5 | 45 | 15,5 | 124 |
| ZT02006   | SPZ200-06                           | 6  | <b>200</b> | 204 | 3  | 2517  | 60       | -  | 76 | 171 | 15,5 | 45 | 15,5 | 124 |
| ZT02246   | SPZ224-06                           | 6  | <b>224</b> | 228 | 6  | 2517  | 60       | 26 | 76 | 195 | 15,5 | 45 | 15,5 | 124 |
| ZT02506   | SPZ250-06                           | 6  | <b>250</b> | 254 | 6  | 2517  | 60       | 26 | 76 | 221 | 15,5 | 45 | 15,5 | 124 |
| ZT02806   | SPZ280-06                           | 6  | <b>280</b> | 284 | 6  | 2517  | 60       | 15 | 76 | 251 | 15,5 | 45 | 15,5 | 124 |
| ZT03156   | SPZ315-06                           | 6  | <b>315</b> | 319 | 6  | 2517  | 60       | 15 | 76 | 286 | 15,5 | 45 | 15,5 | 124 |
| ZT03556   | SPZ355-06                           | 6  | <b>355</b> | 359 | 5  | 2517  | 60       | -  | 76 | 326 | 15,5 | 45 | 15,5 | 124 |
| ZT04006   | SPZ400-06                           | 6  | <b>400</b> | 404 | 5  | 3030  | 75       | -  | 76 | 371 | -    | 76 | -    | 146 |
| ZT04506   | SPZ450-06                           | 6  | <b>450</b> | 454 | 5  | 3030  | 75       | -  | 76 | 421 | -    | 76 | -    | 146 |
| ZT05006   | SPZ500-06                           | 6  | <b>500</b> | 504 | 5  | 3030  | 75       | -  | 76 | 471 | -    | 76 | -    | 146 |
| ZT06306   | SPZ630-06                           | 6  | <b>630</b> | 634 | 4  | 3535  | 90       | -  | 76 | 601 | 6,5  | 89 | 6,5  | 175 |
| ZT08006   | SPZ800-06                           | 6  | <b>800</b> | 804 | 4  | 3535  | 90       | -  | 76 | 771 | 6,5  | 89 | 6,5  | 178 |

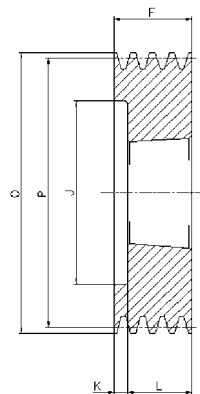




3



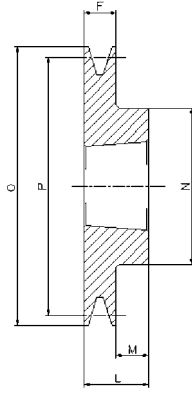
5



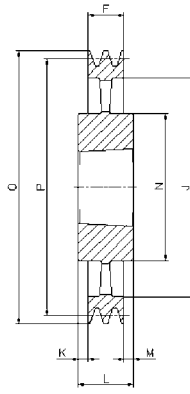
8

# SPZ/8

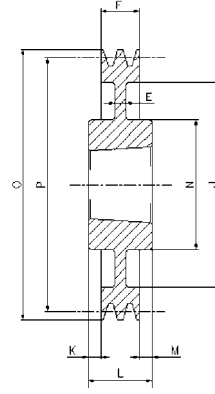
| Cod. interno<br>Internal code<br>Innerer Code<br>Code interne<br>Código interno | Tipo<br>Type<br>Typ<br>Type<br>Tipo | Gole<br>Grooves<br>Rillen<br>Gorges<br>Canales | P   | O   | Forma<br>Form<br>Forme<br>Forme<br>Forma | Bussola<br>Bush<br>Buchse<br>Moyeu<br>Casquillo | ∅<br>MAX | E  | F   | J   | K    | L  | M    | N   |
|---|-------------------------------------|--|-----|-----|--|---|----------|----|-----|-----|------|----|------|-----|
| ZT01408   | SPZ140-08                           | 8  | 140 | 144 | 3  | 2517  | 60       | -  | 100 | 111 | 27,5 | 45 | 27,5 | -   |
| ZT01508   | SPZ150-08                           | 8  | 150 | 154 | 3  | 2517  | 60       | -  | 100 | 121 | 27,5 | 45 | 27,5 | -   |
| ZT01608   | SPZ160-08                           | 8  | 160 | 164 | 3  | 2517  | 60       | -  | 100 | 131 | 27,5 | 45 | 27,5 | -   |
| ZT01808   | SPZ180-08                           | 8  | 180 | 184 | 3  | 2517  | 60       | -  | 100 | 151 | 27,5 | 45 | 27,5 | -   |
| ZT02008   | SPZ200-08                           | 8  | 200 | 204 | 3  | 3020  | 75       | -  | 100 | 171 | 24,5 | 51 | 24,5 | -   |
| ZT02248   | SPZ224-08                           | 8  | 224 | 228 | 3  | 3020  | 75       | -  | 100 | 195 | 24,5 | 51 | 24,5 | -   |
| ZT02508   | SPZ250-08                           | 8  | 250 | 254 | 6  | 3020  | 75       | 20 | 100 | 221 | 24,5 | 51 | 24,5 | 146 |
| ZT02808   | SPZ280-08                           | 8  | 280 | 284 | 6  | 3020  | 75       | 20 | 100 | 251 | 24,5 | 51 | 24,5 | 146 |
| ZT03558   | SPZ355-08                           | 8  | 355 | 359 | 5  | 3030  | 75       | -  | 100 | 326 | 12,5 | 76 | 12,5 | 146 |
| ZT04008   | SPZ400-08                           | 8  | 400 | 404 | 5  | 3030  | 75       | -  | 100 | 371 | 12,5 | 76 | 12,5 | 146 |
| ZT04508   | SPZ450-08                           | 8  | 450 | 454 | 5  | 3535  | 90       | -  | 100 | 421 | 5,5  | 89 | 5,5  | 175 |



1



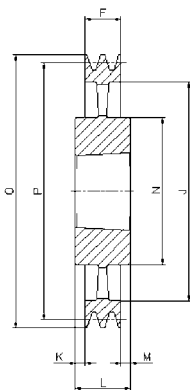
4



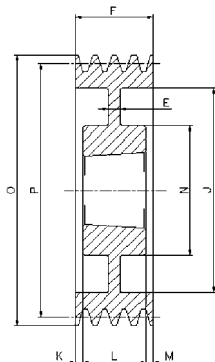
7

# SPA/1

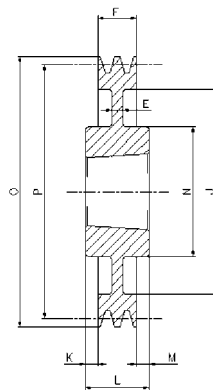
| Cod. interno<br>Internal code<br>Innerer Code<br>Code interne<br>Código interno | Tipo<br>Type<br>Typ<br>Type<br>Tipo | Gole<br>Grooves<br>Rillen<br>Gorges<br>Canales | P          | O     | Forma<br>Form<br>Forme<br>Forme<br>Forma | Bussola<br>Bush<br>Buchse<br>Moyeu<br>Casquillo | Ø<br>MAX | E  | F  | J   | K | L  | M  | N   |
|---|-------------------------------------|--|------------|-------|--|---|----------|----|----|-----|---|----|----|-----|
| AT00631   | SPA 63-01                           | 1  | <b>63</b>  | 68,5  | 1  | 1008  | 25       | -  | 20 | -   | - | 22 | 2  | 56  |
| AT00671   | SPA 67-01                           | 1  | <b>67</b>  | 72,5  | 1  | 1108  | 28       | -  | 20 | -   | - | 22 | 2  | 56  |
| AT00711   | SPA 71-01                           | 1  | <b>71</b>  | 76,5  | 1  | 1108  | 28       | -  | 20 | -   | - | 22 | 2  | 60  |
| AT00751   | SPA 75-01                           | 1  | <b>75</b>  | 80,5  | 1  | 1108  | 28       | -  | 20 | -   | - | 22 | 2  | 56  |
| AT00801   | SPA 80-01                           | 1  | <b>80</b>  | 85,5  | 1  | 1210  | 32       | -  | 20 | -   | - | 25 | 5  | 75  |
| AT00851   | SPA 85-01                           | 1  | <b>85</b>  | 90,5  | 1  | 1210  | 32       | -  | 20 | -   | - | 25 | 5  | 80  |
| AT00901   | SPA 90-01                           | 1  | <b>90</b>  | 95,5  | 1  | 1210  | 32       | -  | 20 | -   | - | 25 | 5  | 80  |
| AT00951   | SPA 95-01                           | 1  | <b>95</b>  | 100,5 | 1  | 1210  | 32       | -  | 20 | -   | - | 25 | 5  | 85  |
| AT01001   | SPA100-01                           | 1  | <b>100</b> | 105,5 | 1  | 1610  | 42       | -  | 20 | -   | - | 25 | 5  | 85  |
| AT01061   | SPA106-01                           | 1  | <b>106</b> | 111,5 | 1  | 1610  | 42       | -  | 20 | -   | - | 25 | 5  | 92  |
| AT01121   | SPA112-01                           | 1  | <b>112</b> | 117,5 | 1  | 1610  | 42       | -  | 20 | -   | - | 25 | 5  | 92  |
| AT01181   | SPA118-01                           | 1  | <b>118</b> | 123,5 | 1  | 1610  | 42       | -  | 20 | -   | - | 25 | 5  | 92  |
| AT01251   | SPA125-01                           | 1  | <b>125</b> | 130,5 | 1  | 1610  | 42       | -  | 20 | -   | - | 25 | 5  | 92  |
| AT01321   | SPA132-01                           | 1  | <b>132</b> | 137,5 | 1  | 1610  | 42       | -  | 20 | -   | - | 25 | 5  | 92  |
| AT01401   | SPA140-01                           | 1  | <b>140</b> | 145,5 | 1  | 1610  | 42       | -  | 20 | -   | - | 25 | 5  | 92  |
| AT01501   | SPA150-01                           | 1  | <b>150</b> | 155,5 | 1  | 1610  | 42       | -  | 20 | -   | - | 25 | 5  | 92  |
| AT01601   | SPA160-01                           | 1  | <b>160</b> | 165,5 | 1  | 1610  | 42       | -  | 20 | -   | - | 25 | 5  | 92  |
| AT01701   | SPA170-01                           | 1  | <b>170</b> | 175,5 | 1  | 1610  | 42       | -  | 20 | -   | - | 25 | 5  | 92  |
| AT01801   | SPA180-01                           | 1  | <b>180</b> | 185,5 | 7  | 1610  | 42       | 6  | 20 | 145 | - | 25 | 5  | 92  |
| AT01901   | SPA190-01                           | 1  | <b>190</b> | 195,5 | 7  | 1610  | 42       | 6  | 20 | 156 | - | 25 | 5  | 92  |
| AT02001   | SPA200-01                           | 1  | <b>200</b> | 205,5 | 7  | 2012  | 50       | 6  | 20 | 165 | - | 32 | 12 | 108 |
| AT02121   | SPA212-01                           | 1  | <b>212</b> | 217,5 | 7  | 2012  | 50       | 10 | 20 | 177 | - | 32 | 12 | 110 |
| AT02241   | SPA224-01                           | 1  | <b>224</b> | 229,5 | 7  | 2012  | 50       | 10 | 20 | 189 | - | 32 | 12 | 112 |
| AT02361   | SPA236-01                           | 1  | <b>236</b> | 241,5 | 7  | 2012  | 50       | 10 | 20 | 202 | - | 32 | 12 | 112 |
| AT02501   | SPA250-01                           | 1  | <b>250</b> | 255,5 | 7  | 2012  | 50       | 10 | 20 | 215 | 6 | 32 | 6  | 112 |
| AT02801   | SPA280-01                           | 1  | <b>280</b> | 285,5 | 7  | 2012  | 50       | 10 | 20 | 245 | - | 32 | 12 | 112 |
| AT03001   | SPA300-01                           | 1  | <b>300</b> | 305,5 | 7  | 2012  | 50       | 12 | 20 | 265 | - | 32 | 12 | 112 |
| AT03151   | SPA315-01                           | 1  | <b>315</b> | 320,5 | 7  | 2012  | 50       | 12 | 20 | 280 | - | 32 | 12 | 112 |
| AT03551   | SPA355-01                           | 1  | <b>355</b> | 360,5 | 4  | 2012  | 50       | -  | 20 | 320 | - | 32 | 12 | 112 |
| AT04001   | SPA400-01                           | 1  | <b>400</b> | 405,5 | 4  | 2012  | 50       | -  | 20 | 365 | - | 32 | 12 | 112 |
| AT04501   | SPA450-01                           | 1  | <b>450</b> | 455,5 | 4  | 2012  | 50       | -  | 20 | 415 | - | 32 | 12 | 112 |
| AT05001   | SPA500-01                           | 1  | <b>500</b> | 505,5 | 4  | 2517  | 60       | -  | 20 | 465 | - | 45 | 25 | 124 |
| AT06301   | SPA630-01                           | 1  | <b>630</b> | 635,5 | 4  | 2517  | 60       | -  | 20 | 595 | - | 45 | 25 | 124 |



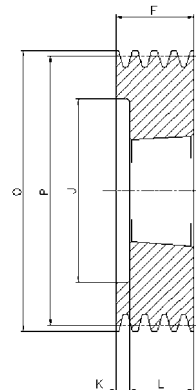
4



6



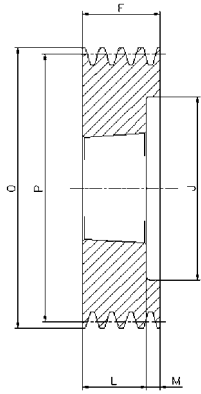
7



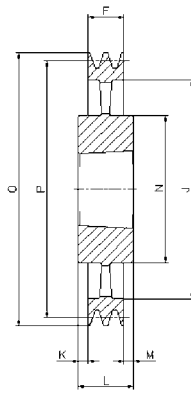
8

# SPA/2

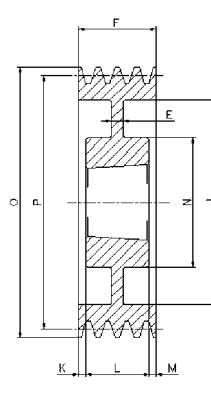
| Cod. interno<br>Internal code<br>Innerer Code<br>Code interne<br>Còdigo interno | Tipo<br>Type<br>Typ<br>Type<br>Tipo | Gole<br>Grooves<br>Rillen<br>Gorges<br>Canales | P          | O     | Forma<br>Form<br>Forme<br>Forme<br>Forma | Bussola<br>Bush<br>Buchse<br>Moyeu<br>Casquillo | Ø<br>MAX | E  | F  | J     | K    | L  | M    | N   |
|---|-------------------------------------|--|------------|-------|--|---|----------|----|----|-------|------|----|------|-----|
| AT00632   | SPA 63-02                           | 2  | <b>63</b>  | 68,5  | 8  | 1008  | 28       | -  | 35 | 32,5  | 13,0 | 22 | -    | -   |
| AT00672   | SPA 67-02                           | 2  | <b>67</b>  | 72,5  | 8  | 1108  | 28       | -  | 35 | 37,0  | 13,0 | 22 | -    | -   |
| AT00712   | SPA 71-02                           | 2  | <b>71</b>  | 76,5  | 8  | 1108  | 28       | -  | 35 | 40,0  | 13,0 | 22 | -    | -   |
| AT00752   | SPA 75-02                           | 2  | <b>75</b>  | 80,5  | 8  | 1108  | 28       | -  | 35 | 44,0  | 13,0 | 22 | -    | -   |
| AT00802   | SPA 80-02                           | 2  | <b>80</b>  | 85,5  | 8  | 1210  | 32       | -  | 35 | 50,0  | 10,0 | 25 | -    | -   |
| AT00852   | SPA 85-02                           | 2  | <b>85</b>  | 90,5  | 8  | 1210  | 32       | -  | 35 | 55,0  | 10,0 | 25 | -    | -   |
| AT00902   | SPA 90-02                           | 2  | <b>90</b>  | 95,5  | 8  | 1610  | 42       | -  | 35 | 59,0  | 10,0 | 25 | -    | -   |
| AT00952   | SPA 95-02                           | 2  | <b>95</b>  | 100,5 | 8  | 1610  | 42       | -  | 35 | 63,0  | 10,0 | 25 | -    | -   |
| AT01002   | SPA100-02                           | 2  | <b>100</b> | 105,5 | 8  | 1610  | 42       | -  | 35 | 66,0  | 10,0 | 25 | -    | -   |
| AT01062   | SPA106-02                           | 2  | <b>106</b> | 111,5 | 8  | 1610  | 42       | -  | 35 | 72,0  | 10,0 | 25 | -    | -   |
| AT01122   | SPA112-02                           | 2  | <b>112</b> | 117,5 | 8  | 1610  | 42       | -  | 35 | 78,0  | 10,0 | 25 | -    | -   |
| AT01182   | SPA118-02                           | 2  | <b>118</b> | 123,5 | 8  | 1610  | 42       | -  | 35 | 84,0  | 10,0 | 25 | -    | -   |
| AT01252   | SPA125-02                           | 2  | <b>125</b> | 130,5 | 8  | 1610  | 42       | -  | 35 | 91,0  | 10,0 | 25 | -    | -   |
| AT01322   | SPA132-02                           | 2  | <b>132</b> | 137,5 | 8  | 2012  | 50       | -  | 35 | 98,0  | 3,0  | 32 | -    | -   |
| AT01402   | SPA140-02                           | 2  | <b>140</b> | 145,5 | 8  | 2012  | 50       | -  | 35 | 106,0 | 3,0  | 32 | -    | -   |
| AT01502   | SPA150-02                           | 2  | <b>150</b> | 155,5 | 8  | 2012  | 50       | -  | 35 | 116,0 | 3,0  | 32 | -    | -   |
| AT01602   | SPA160-02                           | 2  | <b>160</b> | 165,5 | 8  | 2012  | 50       | -  | 35 | 125,0 | 3,0  | 32 | -    | -   |
| AT01702   | SPA170-02                           | 2  | <b>170</b> | 175,5 | 8  | 2012  | 50       | -  | 35 | 135,0 | 3,0  | 32 | -    | -   |
| AT01802   | SPA180-02                           | 2  | <b>180</b> | 185,5 | 6  | 2012  | 50       | 10 | 35 | 146,0 | 1,5  | 32 | 1,5  | 108 |
| AT01902   | SPA190-02                           | 2  | <b>190</b> | 195,5 | 6  | 2012  | 50       | 10 | 35 | 156,0 | 1,5  | 32 | 1,5  | 108 |
| AT02002   | SPA200-02                           | 2  | <b>200</b> | 205,5 | 7  | 2517  | 60       | 10 | 35 | 165,0 | 5,0  | 45 | 5,0  | 123 |
| AT02122   | SPA212-02                           | 2  | <b>212</b> | 217,5 | 7  | 2517  | 60       | 18 | 35 | 177,0 | 5,0  | 45 | 5,0  | 123 |
| AT02242   | SPA224-02                           | 2  | <b>224</b> | 229,5 | 7  | 2517  | 60       | 18 | 35 | 189,0 | -    | 45 | 10,0 | 124 |
| AT02362   | SPA236-02                           | 2  | <b>236</b> | 241,5 | 7  | 2517  | 60       | 12 | 35 | 202,0 | -    | 45 | 10,0 | 124 |
| AT02502   | SPA250-02                           | 2  | <b>250</b> | 255,5 | 7  | 2517  | 60       | 12 | 35 | 215,0 | 5,0  | 45 | 5,0  | 124 |
| AT02802   | SPA280-02                           | 2  | <b>280</b> | 285,5 | 7  | 2517  | 60       | 12 | 35 | 245,0 | -    | 45 | 10,0 | 124 |
| AT03002   | SPA300-02                           | 2  | <b>300</b> | 305,5 | 7  | 2517  | 60       | 12 | 35 | 265,0 | -    | 45 | 10,0 | 124 |
| AT03152   | SPA315-02                           | 2  | <b>315</b> | 320,5 | 7  | 2517  | 60       | 12 | 35 | 280,0 | -    | 45 | 10,0 | 124 |
| AT03552   | SPA355-02                           | 2  | <b>355</b> | 360,5 | 4  | 2517  | 60       | -  | 35 | 320,0 | -    | 45 | 10,0 | 124 |
| AT04002   | SPA400-02                           | 2  | <b>400</b> | 405,5 | 4  | 2517  | 60       | -  | 35 | 365,0 | -    | 45 | 10,0 | 124 |
| AT04502   | SPA450-02                           | 2  | <b>450</b> | 455,5 | 4  | 2517  | 60       | -  | 35 | 465,0 | -    | 45 | 10,0 | 124 |
| AT05002   | SPA500-02                           | 2  | <b>500</b> | 505,5 | 4  | 2517  | 60       | -  | 35 | 525,0 | -    | 45 | 10,0 | 125 |
| AT06302   | SPA630-02                           | 2  | <b>630</b> | 635,5 | 4  | 3020  | 75       | -  | 35 | 595,0 | 8,0  | 51 | 18,0 | 159 |



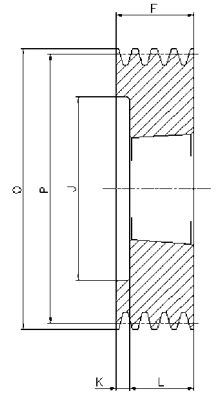
2



4



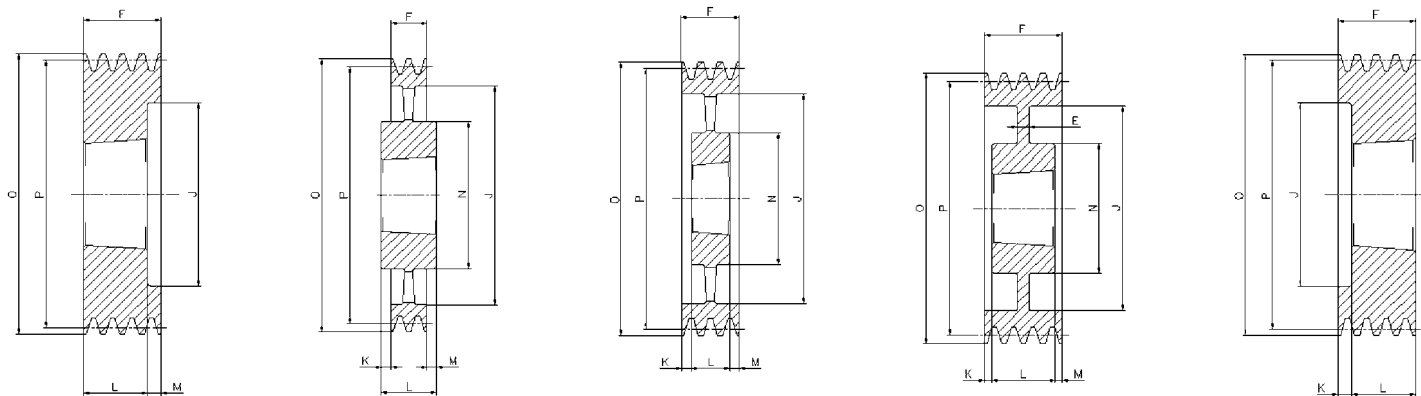
6



8

# SPA/3

| Cod. interno<br>Internal code<br>Inner Code<br>Code interne<br>Código interno | Tipo<br>Type<br>Typ<br>Type<br>Tipo | Gole<br>Grooves<br>Rillen<br>Gorges<br>Canales | P    | O      | Forma<br>Form<br>Forme<br>Forme<br>Forma | Bussola<br>Buchse<br>Moyeu<br>Casquillo | ∅<br>MAX | E  | F  | J   | K    | L  | M    | N   |
|---|-------------------------------------|--|------|--------|--|---|----------|----|----|-----|------|----|------|-----|
| AT00713   | SPA 71-03                           | 3  | 71   | 76,5   | 8  | 1108                                    | 28       | -  | 50 | 40  | 28,0 | 22 | -    | -   |
| AT00753   | SPA 75-03                           | 3  | 75   | 80,5   | 8  | 1108                                    | 28       | -  | 50 | 44  | 28,0 | 22 | -    | -   |
| AT00803   | SPA 80-03                           | 3  | 80   | 85,5   | 8  | 1210                                    | 32       | -  | 50 | 50  | 25,0 | 25 | -    | -   |
| AT00853   | SPA 85-03                           | 3  | 85   | 90,5   | 8  | 1210                                    | 32       | -  | 50 | 55  | 25,0 | 25 | -    | -   |
| AT00903   | SPA 90-03                           | 3  | 90   | 95,5   | 8  | 1610                                    | 42       | -  | 50 | 59  | 25,0 | 25 | -    | -   |
| AT00953   | SPA 95-03                           | 3  | 95   | 100,5  | 8  | 1610                                    | 42       | -  | 50 | 63  | 25,0 | 25 | -    | -   |
| AT01003   | SPA100-03                           | 3  | 100  | 105,5  | 2  | 1610                                    | 42       | -  | 50 | 66  | -    | 25 | 25,0 | -   |
| AT01063   | SPA106-03                           | 3  | 106  | 111,5  | 2  | 1610                                    | 42       | -  | 50 | 72  | -    | 25 | 25,0 | -   |
| AT01123   | SPA112-03                           | 3  | 112  | 117,5  | 8  | 2012                                    | 50       | -  | 50 | 78  | 18,0 | 32 | -    | -   |
| AT01183   | SPA118-03                           | 3  | 118  | 123,5  | 2  | 2012                                    | 50       | -  | 50 | 84  | -    | 32 | 18,0 | -   |
| AT01253   | SPA125-03                           | 3  | 125  | 130,5  | 2  | 2012                                    | 50       | -  | 50 | 91  | -    | 32 | 18,0 | -   |
| AT01323   | SPA132-03                           | 3  | 132  | 137,5  | 2  | 2012                                    | 50       | -  | 50 | 98  | -    | 32 | 18,0 | -   |
| AT01403   | SPA140-03                           | 3  | 140  | 145,5  | 8  | 2517                                    | 60       | -  | 50 | 106 | 5,0  | 45 | -    | -   |
| AT01503   | SPA150-03                           | 3  | 150  | 155,5  | 8  | 2517                                    | 60       | -  | 50 | 116 | 5,0  | 45 | -    | -   |
| AT01603   | SPA160-03                           | 3  | 160  | 165,5  | 8  | 2517                                    | 60       | -  | 50 | 125 | 5,0  | 45 | -    | -   |
| AT01703   | SPA170-03                           | 3  | 170  | 175,5  | 8  | 2517                                    | 60       | -  | 50 | 135 | 5,0  | 45 | -    | -   |
| AT01803   | SPA180-03                           | 3  | 180  | 185,5  | 8  | 2517                                    | 60       | -  | 50 | 146 | 5,0  | 45 | -    | -   |
| AT01903   | SPA190-03                           | 3  | 190  | 195,5  | 8  | 2517                                    | 60       | -  | 50 | 156 | 5,0  | 45 | -    | -   |
| AT02003   | SPA200-03                           | 3  | 200  | 205,5  | 6  | 2517                                    | 60       | 20 | 50 | 165 | 2,5  | 45 | 2,5  | 123 |
| AT02123   | SPA212-03                           | 3  | 212  | 217,5  | 6  | 2517                                    | 60       | 20 | 50 | 177 | 2,5  | 45 | 2,5  | 123 |
| AT02243   | SPA224-03                           | 3  | 224  | 229,5  | 6  | 2517                                    | 60       | 20 | 50 | 189 | 2,5  | 45 | 2,5  | 124 |
| AT02363   | SPA236-03                           | 3  | 236  | 241,5  | 6  | 2517                                    | 60       | 20 | 50 | 202 | 2,5  | 45 | 2,5  | 124 |
| AT02503   | SPA250-03                           | 3  | 250  | 255,5  | 6  | 2517                                    | 60       | 20 | 50 | 215 | 2,5  | 45 | 2,5  | 124 |
| AT02803   | SPA280-03                           | 3  | 280  | 285,5  | 6  | 2517                                    | 60       | 20 | 50 | 245 | 2,5  | 45 | 2,5  | 124 |
| AT03003   | SPA300-03                           | 3  | 300  | 305,5  | 4  | 3020                                    | 75       | -  | 50 | 265 | 0,5  | 51 | 0,5  | 146 |
| AT03153   | SPA315-03                           | 3  | 315  | 320,5  | 4  | 3020                                    | 75       | -  | 50 | 280 | 0,5  | 51 | 0,5  | 159 |
| AT03553   | SPA355-03                           | 3  | 355  | 360,5  | 4  | 3020                                    | 75       | -  | 50 | 320 | 0,5  | 51 | 0,5  | 159 |
| AT04003   | SPA400-03                           | 3  | 400  | 405,5  | 4  | 3020                                    | 75       | -  | 50 | 365 | -    | 51 | 1,0  | 159 |
| AT04503   | SPA450-03                           | 3  | 450  | 455,5  | 4  | 3020                                    | 75       | -  | 50 | 415 | -    | 51 | 1,0  | 159 |
| AT05003   | SPA500-03                           | 3  | 500  | 505,5  | 4  | 3020                                    | 75       | -  | 50 | 465 | -    | 51 | 1,0  | 159 |
| AT05603   | SPA560-03                           | 3  | 560  | 565,5  | 4  | 3020                                    | 75       | -  | 50 | 525 | -    | 51 | 1,0  | 150 |
| AT06303   | SPA630-03                           | 3  | 630  | 635,5  | 4  | 3020                                    | 75       | -  | 50 | 595 | -    | 51 | 1,0  | 150 |
| AT08003   | SPA800-03                           | 3  | 800  | 805,5  | 4  | 3535                                    | 90       | -  | 50 | 765 | 19,5 | 89 | 19,5 | 175 |
| AT10003   | SPA1000-03                          | 3  | 1000 | 1005,5 | 4  | 3535                                    | 90       | -  | 50 | 965 | 19,5 | 89 | 19,5 | 175 |



2

4

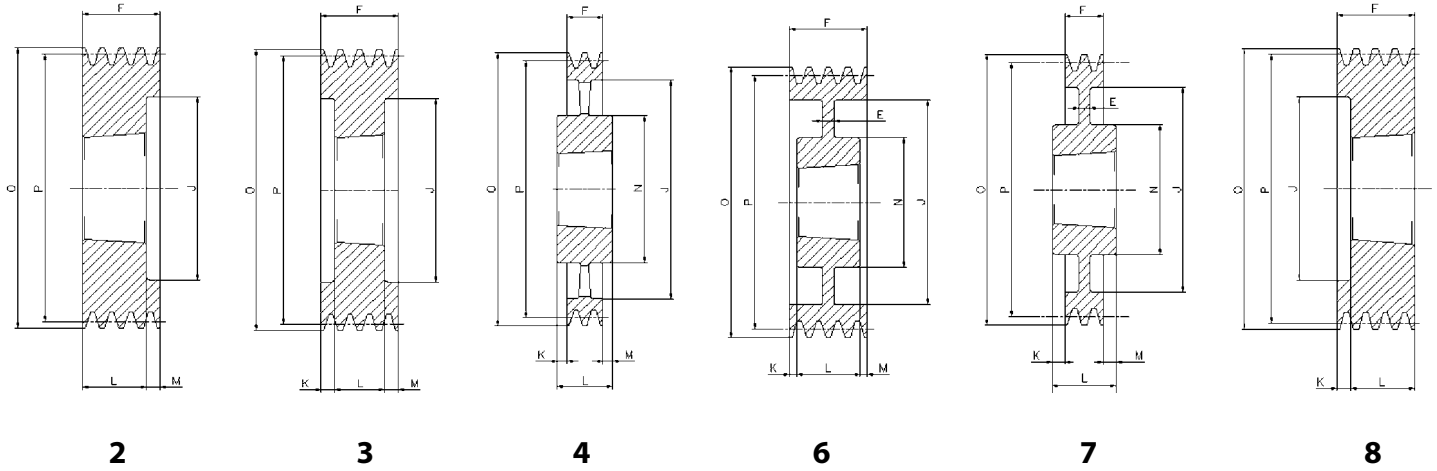
5

6

8

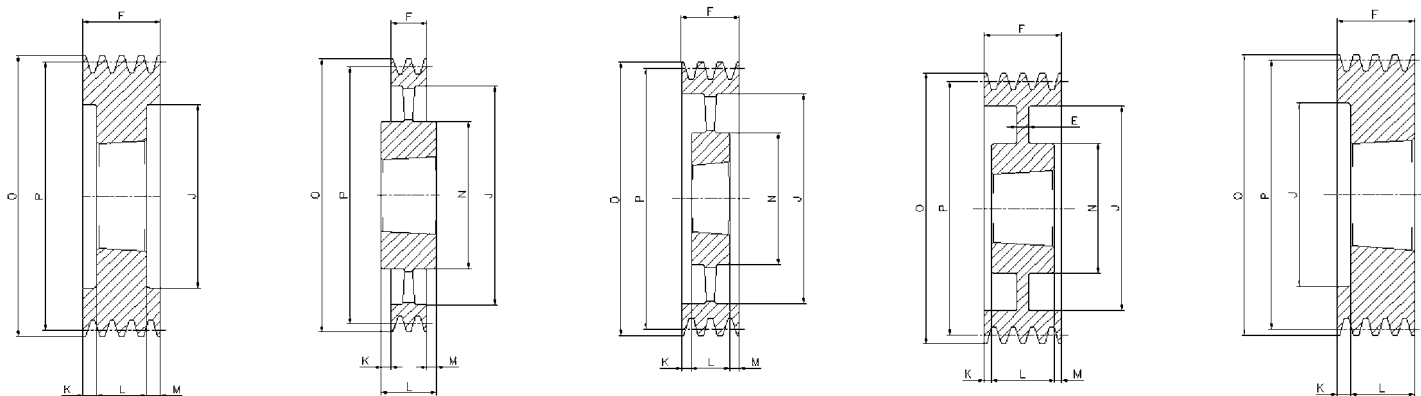
# SPA/4

| Cod. interno<br>Internal code<br>Code interne<br>Código interno | Tipo<br>Type<br>Typ<br>Type<br>Tipo | Gole<br>Grooves<br>Rillen<br>Gorges<br>Canales | P           | O      | Forma<br>Form<br>Forme<br>Forme<br>Forma | Bussola<br>Buchse<br>Moyeu<br>Casquillo | ∅<br>MAX | E  | F  | J   | K    | L   | M    | N   |
|---|-------------------------------------|--|-------------|--------|--|---|----------|----|----|-----|------|-----|------|-----|
| AT00804   | SPA 80-04                           | 4  | <b>80</b>   | 85,5   | 8  | 1215                                    | 28       | -  | 65 | 49  | 27   | 38  | -    | -   |
| AT00904   | SPA 90-04                           | 4  | <b>90</b>   | 95,5   | 8  | 1615                                    | 42       | -  | 65 | 59  | 27,0 | 38  | -    | -   |
| AT00954   | SPA 95-04                           | 4  | <b>95</b>   | 100,5  | 8  | 1615                                    | 42       | -  | 65 | 63  | 27,0 | 38  | -    | -   |
| AT01004   | SPA100-04                           | 4  | <b>100</b>  | 105,5  | 2  | 1615                                    | 42       | -  | 65 | 66  | -    | 38  | 27,0 | -   |
| AT01064   | SPA106-04                           | 4  | <b>106</b>  | 111,5  | 8  | 2012                                    | 50       | -  | 65 | 72  | 33,0 | 32  | -    | -   |
| AT01124   | SPA112-04                           | 4  | <b>112</b>  | 117,5  | 8  | 2012                                    | 50       | -  | 65 | 78  | 33,0 | 32  | -    | -   |
| AT01184   | SPA118-04                           | 4  | <b>118</b>  | 123,5  | 2  | 2012                                    | 50       | -  | 65 | 84  | -    | 32  | 33,0 | -   |
| AT01254   | SPA125-04                           | 4  | <b>125</b>  | 130,5  | 2  | 2012                                    | 50       | -  | 65 | 91  | -    | 32  | 33,0 | -   |
| AT01324   | SPA132-04                           | 4  | <b>132</b>  | 137,5  | 2  | 2517                                    | 60       | -  | 65 | 98  | -    | 45  | 20,0 | -   |
| AT01404   | SPA140-04                           | 4  | <b>140</b>  | 145,5  | 2  | 2517                                    | 60       | -  | 65 | 106 | -    | 45  | 20,0 | -   |
| AT01504   | SPA150-04                           | 4  | <b>150</b>  | 155,5  | 2  | 2517                                    | 60       | -  | 65 | 116 | -    | 45  | 20,0 | -   |
| AT01604   | SPA160-04                           | 4  | <b>160</b>  | 165,5  | 2  | 2517                                    | 60       | -  | 65 | 125 | -    | 45  | 20,0 | -   |
| AT01704   | SPA170-04                           | 4  | <b>170</b>  | 175,5  | 2  | 2517                                    | 60       | -  | 65 | 135 | -    | 45  | 20,0 | -   |
| AT01804   | SPA180-04                           | 4  | <b>180</b>  | 185,5  | 2  | 2517                                    | 60       | -  | 65 | 146 | -    | 45  | 20,0 | -   |
| AT01904   | SPA190-04                           | 4  | <b>190</b>  | 195,5  | 2  | 2517                                    | 60       | -  | 65 | 156 | -    | 45  | 20,0 | -   |
| AT02004   | SPA200-04                           | 4  | <b>200</b>  | 205,5  | 2  | 3020                                    | 75       | -  | 65 | 165 | -    | 51  | 14,0 | -   |
| AT02124   | SPA212-04                           | 4  | <b>212</b>  | 217,5  | 2  | 3020                                    | 75       | -  | 65 | 177 | -    | 51  | 14,0 | -   |
| AT02244   | SPA224-04                           | 4  | <b>224</b>  | 229,5  | 2  | 3020                                    | 75       | -  | 65 | 189 | -    | 51  | 14,0 | -   |
| AT02364   | SPA236-04                           | 4  | <b>236</b>  | 241,5  | 6  | 3020                                    | 75       | 25 | 65 | 202 | -    | 51  | 14,0 | -   |
| AT02504   | SPA250-04                           | 4  | <b>250</b>  | 255,5  | 6  | 3020                                    | 75       | 20 | 65 | 215 | 7,0  | 51  | 7,0  | 159 |
| AT02804   | SPA280-04                           | 4  | <b>280</b>  | 285,5  | 6  | 3020                                    | 75       | 25 | 65 | 245 | 7,0  | 51  | 7,0  | 159 |
| AT03004   | SPA300-04                           | 4  | <b>300</b>  | 305,5  | 6  | 3020                                    | 75       | 25 | 65 | 265 | 7,0  | 51  | 7,0  | 159 |
| AT03154   | SPA315-04                           | 4  | <b>315</b>  | 320,5  | 6  | 3020                                    | 75       | 25 | 65 | 280 | 7,0  | 51  | 7,0  | 159 |
| AT03554   | SPA355-04                           | 4  | <b>355</b>  | 360,5  | 5  | 3020                                    | 75       | -  | 65 | 320 | 7,0  | 51  | 7,0  | 159 |
| AT04004   | SPA400-04                           | 4  | <b>400</b>  | 405,5  | 5  | 3020                                    | 75       | -  | 65 | 365 | 7,0  | 51  | 7,0  | 159 |
| AT04504   | SPA450-04                           | 4  | <b>450</b>  | 455,5  | 5  | 3020                                    | 75       | -  | 65 | 415 | 7,0  | 51  | 7,0  | 159 |
| AT05004   | SPA500-04                           | 4  | <b>500</b>  | 505,5  | 5  | 3020                                    | 75       | -  | 65 | 465 | 7,0  | 51  | 7,0  | 159 |
| AT05604   | SPA560-04                           | 4  | <b>560</b>  | 565,5  | 4  | 3535                                    | 90       | -  | 65 | 525 | 12,0 | 89  | 12,0 | 175 |
| AT06304   | SPA630-04                           | 4  | <b>630</b>  | 635,5  | 4  | 3535                                    | 90       | -  | 65 | 595 | 12,0 | 89  | 12,0 | 175 |
| AT08004   | SPA800-04                           | 4  | <b>800</b>  | 805,5  | 4  | 3535                                    | 90       | -  | 65 | 765 | 12,0 | 89  | 12,0 | 175 |
| AT10004   | SPA1000-04                          | 4  | <b>1000</b> | 1005,5 | 4  | 4040                                    | 100      | -  | 65 | 965 | 18,5 | 102 | 18,5 | 210 |



# SPA/5

| Cod. interno<br>Internal code<br>Innerer Code<br>Code interne<br>Código interno | Tipo<br>Type<br>Typ<br>Type<br>Tipo | Gole<br>Grooves<br>Rillen<br>Gorges<br>Canales | P    | O      | Forma<br>Form<br>Forme<br>Forme<br>Forma | Bussola<br>Buchse<br>Moyeu<br>Casquillo | ∅<br>MAX | E  | F  | J   | K    | L   | M    | N   |
|---|-------------------------------------|--|------|--------|--|---|----------|----|----|-----|------|-----|------|-----|
| AT01005   | SPA100-05                           | 5  | 100  | 105,5  | 2  | 1615                                    | 42       | -  | 80 | 66  | -    | 38  | 42,0 | -   |
| AT01065   | SPA106-05                           | 5  | 106  | 111,5  | 8  | 2012                                    | 50       | -  | 80 | 72  | 48,0 | 32  | -    | -   |
| AT01125   | SPA112-05                           | 5  | 112  | 117,5  | 8  | 2012                                    | 50       | -  | 80 | 78  | 48,0 | 32  | -    | -   |
| AT01185   | SPA118-05                           | 5  | 118  | 123,5  | 2  | 2012                                    | 50       | -  | 80 | 84  | -    | 32  | 48,0 | -   |
| AT01255   | SPA125-05                           | 5  | 125  | 130,5  | 3  | 2012                                    | 50       | -  | 80 | 91  | 24,0 | 32  | 24,0 | -   |
| AT01325   | SPA132-05                           | 5  | 132  | 137,5  | 3  | 2517                                    | 60       | -  | 80 | 98  | 17,5 | 45  | 17,5 | -   |
| AT01405   | SPA140-05                           | 5  | 140  | 145,5  | 3  | 2517                                    | 60       | -  | 80 | 106 | 17,5 | 45  | 17,5 | -   |
| AT01505   | SPA150-05                           | 5  | 150  | 155,5  | 3  | 2517                                    | 60       | -  | 80 | 116 | 17,5 | 45  | 17,5 | -   |
| AT01605   | SPA160-05                           | 5  | 160  | 165,5  | 3  | 2517                                    | 60       | -  | 80 | 125 | 17,5 | 45  | 17,5 | -   |
| AT01705   | SPA170-05                           | 5  | 170  | 175,5  | 3  | 2517                                    | 60       | -  | 80 | 135 | 17,5 | 45  | 17,5 | -   |
| AT01805   | SPA180-05                           | 5  | 180  | 185,5  | 3  | 3020                                    | 75       | -  | 80 | 146 | -    | 51  | 29,0 | -   |
| AT01905   | SPA190-05                           | 5  | 190  | 195,5  | 2  | 3020                                    | 75       | -  | 80 | 156 | 14,5 | 51  | 14,5 | -   |
| AT02005   | SPA200-05                           | 5  | 200  | 205,5  | 3  | 3020                                    | 75       | -  | 80 | 165 | 14,5 | 51  | 14,5 | -   |
| AT02125   | SPA212-05                           | 5  | 212  | 217,5  | 2  | 3020                                    | 75       | -  | 80 | 177 | -    | 51  | 29,0 | -   |
| AT02245   | SPA224-05                           | 5  | 224  | 229,5  | 2  | 3020                                    | 75       | -  | 80 | 189 | -    | 51  | 29,0 | -   |
| AT02365   | SPA236-05                           | 5  | 236  | 241,5  | 2  | 3020                                    | 75       | -  | 80 | 202 | -    | 51  | 29,0 | -   |
| AT02505   | SPA250-05                           | 5  | 250  | 255,5  | 6  | 3020                                    | 75       | 20 | 80 | 215 | 14,5 | 51  | 14,5 | 159 |
| AT02805   | SPA280-05                           | 5  | 280  | 285,5  | 7  | 3535                                    | 90       | 25 | 80 | 245 | 4,5  | 89  | 4,5  | 175 |
| AT03005   | SPA300-05                           | 5  | 300  | 305,5  | 7  | 3535                                    | 90       | 25 | 80 | 265 | 4,5  | 89  | 4,5  | 175 |
| AT03155   | SPA315-05                           | 5  | 315  | 320,5  | 7  | 3535                                    | 90       | 25 | 80 | 280 | 4,5  | 89  | 4,5  | 175 |
| AT03555   | SPA355-05                           | 5  | 355  | 360,5  | 4  | 3535                                    | 90       | -  | 80 | 320 | 4,5  | 89  | 4,5  | 175 |
| AT04005   | SPA400-05                           | 5  | 400  | 405,5  | 4  | 3535                                    | 90       | -  | 80 | 365 | 4,5  | 89  | 4,5  | 175 |
| AT04505   | SPA450-05                           | 5  | 450  | 455,5  | 4  | 3535                                    | 90       | -  | 80 | 415 | 4,5  | 89  | 4,5  | 175 |
| AT05005   | SPA500-05                           | 5  | 500  | 505,5  | 4  | 3535                                    | 90       | -  | 80 | 465 | 4,5  | 89  | 4,5  | 175 |
| AT05605   | SPA560-05                           | 5  | 560  | 565,5  | 4  | 3535                                    | 90       | -  | 80 | 525 | 4,5  | 89  | 4,5  | 175 |
| AT06305   | SPA630-05                           | 5  | 630  | 635,5  | 4  | 3535                                    | 90       | -  | 80 | 595 | 4,5  | 89  | 4,5  | 175 |
| AT08005   | SPA800-05                           | 5  | 800  | 805,5  | 4  | 4040                                    | 100      | -  | 80 | 765 | 11,0 | 102 | 11,0 | 210 |
| AT10005   | SPA1000-05                          | 5  | 1000 | 1005,5 | 4  | 4545                                    | 110      | -  | 80 | 965 | 17,0 | 114 | 17,0 | 242 |



3

4

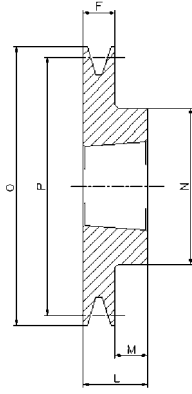
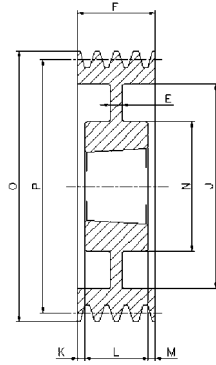
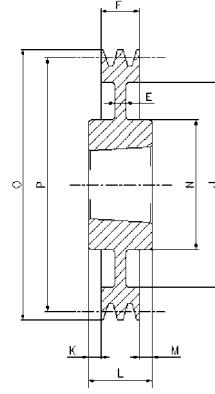
5

6

8

# SPA/6

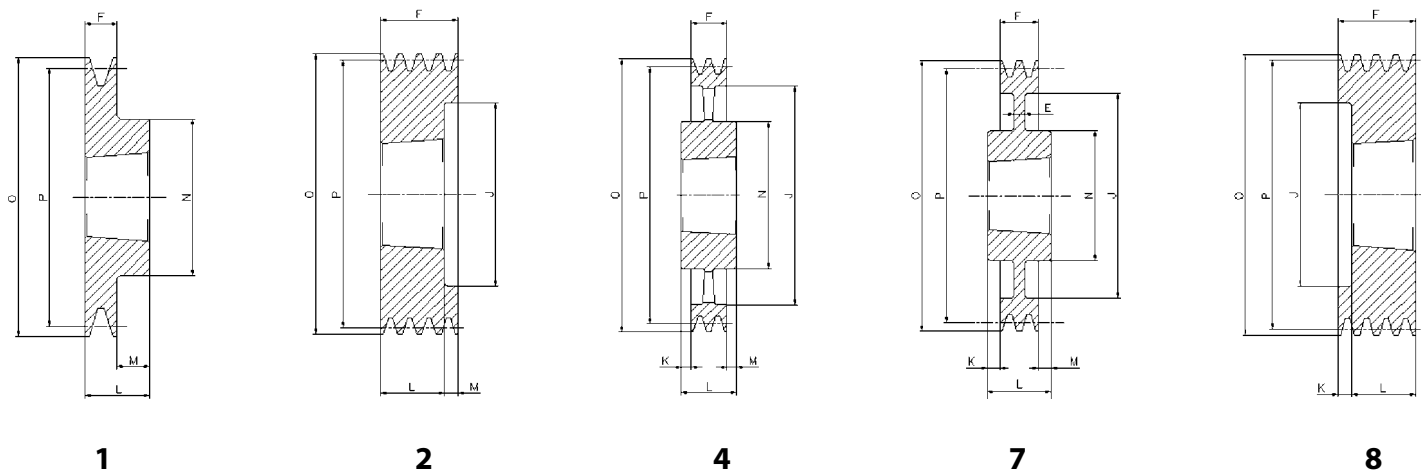
| Cod. interno<br>Internal code<br>Inner Code<br>Code interne<br>Código interno | Tipo<br>Type<br>Typ<br>Type<br>Tipo | Gole<br>Grooves<br>Rillen<br>Gorges<br>Canales | P    | O      | Forma<br>Form<br>Forme<br>Forme<br>Forma | Bussola<br>Bush<br>Buchse<br>Moyeu<br>Casquillo | ∅<br>MAX | E  | F  | J   | K    | L   | M    | N   |
|---|-------------------------------------|--|------|--------|--|---|----------|----|----|-----|------|-----|------|-----|
| AT01006   | SPA100-06                           | 6  | 100  | 105,5  | 3  | 1610  | 42       | -  | 95 | 66  | 30,0 | 25  | 40,0 | -   |
| AT01066   | SPA106-06                           | 6  | 106  | 111,5  | 8  | 2012  | 50       | -  | 95 | 72  | 63,0 | 32  | -    | -   |
| AT01126   | SPA112-06                           | 6  | 112  | 117,5  | 8  | 2012  | 50       | -  | 95 | 78  | 63,0 | 32  | -    | -   |
| AT01186   | SPA118-06                           | 6  | 118  | 123,5  | 8  | 2012  | 50       | -  | 95 | 84  | 63,0 | 32  | -    | -   |
| AT01256   | SPA125-06                           | 6  | 125  | 130,5  | 3  | 2012  | 50       | -  | 95 | 91  | 31,5 | 32  | 31,5 | -   |
| AT01326   | SPA132-06                           | 6  | 132  | 137,5  | 3  | 2517  | 60       | -  | 95 | 98  | 25,0 | 45  | 25,0 | -   |
| AT01406   | SPA140-06                           | 6  | 140  | 145,5  | 3  | 2517  | 60       | -  | 95 | 106 | 25,0 | 45  | 25,0 | -   |
| AT01506   | SPA150-06                           | 6  | 150  | 155,5  | 3  | 2517  | 60       | -  | 95 | 116 | 25,0 | 45  | 25,0 | -   |
| AT01606   | SPA160-06                           | 6  | 160  | 165,5  | 3  | 2517  | 60       | -  | 95 | 125 | 25,0 | 45  | 25,0 | -   |
| AT01806   | SPA180-06                           | 6  | 180  | 185,5  | 3  | 3020  | 75       | -  | 95 | 146 | 22,0 | 51  | 22,0 | -   |
| AT02006   | SPA200-06                           | 6  | 200  | 205,5  | 3  | 3020  | 75       | -  | 95 | 165 | 22,0 | 51  | 22,0 | -   |
| AT02126   | SPA212-06                           | 6  | 212  | 217,5  | 3  | 3020  | 75       | -  | 95 | 176 | 22,0 | 51  | 22,0 | -   |
| AT02246   | SPA224-06                           | 6  | 224  | 229,5  | 3  | 3020  | 75       | -  | 95 | 189 | 22,0 | 51  | 22,0 | -   |
| AT02366   | SPA236-06                           | 6  | 236  | 241,5  | 3  | 3020  | 75       | -  | 95 | 202 | 22,0 | 51  | 22,0 | -   |
| AT02506   | SPA250-06                           | 6  | 250  | 255,5  | 6  | 3020  | 75       | 20 | 95 | 215 | 22,0 | 51  | 22,0 | 155 |
| AT02806   | SPA280-06                           | 6  | 280  | 285,5  | 6  | 3535  | 90       | 25 | 95 | 245 | 3,0  | 89  | 3,0  | 175 |
| AT03006   | SPA300-06                           | 6  | 300  | 305,5  | 6  | 3535  | 90       | 25 | 95 | 265 | 3,0  | 89  | 3,0  | 175 |
| AT03156   | SPA315-06                           | 6  | 315  | 320,5  | 6  | 3535  | 90       | 25 | 95 | 280 | 3,0  | 89  | 3,0  | 175 |
| AT03556   | SPA355-06                           | 6  | 355  | 360,5  | 5  | 3535  | 90       | -  | 95 | 320 | 3,0  | 89  | 3,0  | 175 |
| AT04006   | SPA400-06                           | 6  | 400  | 405,5  | 5  | 3535  | 90       | -  | 95 | 365 | 3,0  | 89  | 3,0  | 175 |
| AT04506   | SPA450-06                           | 6  | 450  | 455,5  | 5  | 3535  | 90       | -  | 95 | 415 | 3,0  | 89  | 3,0  | 175 |
| AT05006   | SPA500-06                           | 6  | 500  | 505,5  | 5  | 3535  | 90       | -  | 95 | 465 | 3,0  | 89  | 3,0  | 175 |
| AT05606   | SPA560-06                           | 6  | 560  | 565,5  | 5  | 3535  | 90       | -  | 95 | 525 | 3,0  | 89  | 3,0  | 175 |
| AT06306   | SPA630-06                           | 6  | 630  | 635,5  | 4  | 4040  | 100      | -  | 95 | 595 | 3,5  | 102 | 3,5  | 210 |
| AT08006   | SPA800-06                           | 6  | 800  | 805,5  | 4  | 4040  | 100      | -  | 95 | 765 | 3,5  | 102 | 3,5  | 210 |
| AT10006   | SPA1000-06                          | 6  | 1000 | 1005,5 | 4  | 4545  | 110      | -  | 95 | 965 | 9,5  | 114 | 9,5  | 242 |


**1**

**6**

**7**

# SPB/1

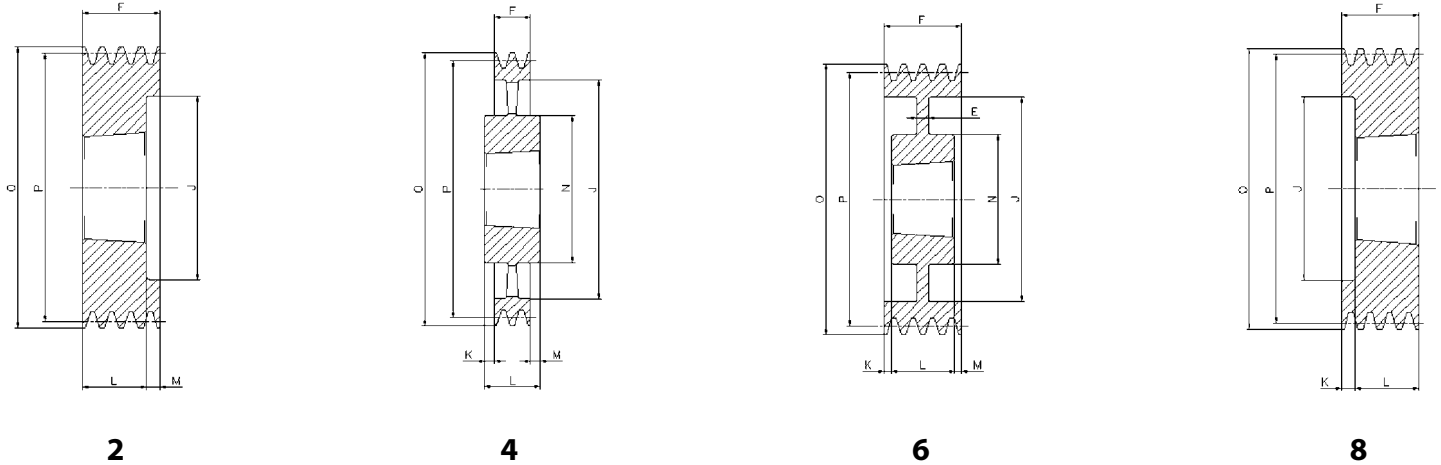
| Cod. interno<br>Internal code<br>Innerer Code<br>Code interne<br>Código interno | Tipo<br>Type<br>Typ<br>Type<br>Tipo | Gole<br>Grooves<br>Rillen<br>Gorges<br>Canales | P          | O   | Forma<br>Form<br>Forme<br>Forme<br>Forma | Bussola<br>Bush<br>Buchse<br>Moyeu<br>Casquillo | Ø<br>MAX | E  | F  | J   | K   | L  | M   | N   |
|---|-------------------------------------|--|------------|-----|--|---|----------|----|----|-----|-----|----|-----|-----|
| BT01001   | SPB100-01                           | 1  | <b>100</b> | 107 | 1  | 1610  | 42       | -  | 25 | -   | -   | 25 | -   | -   |
| BT01061   | SPB106-1                            | 1  | <b>106</b> | 113 | 1  | 1610  | 42       | -  | 25 | -   | -   | 25 | -   | -   |
| BT01121   | SPB112-01                           | 1  | <b>112</b> | 119 | 1  | 1610  | 42       | -  | 25 | -   | -   | 25 | -   | -   |
| BT01181   | SPB118-01                           | 1  | <b>118</b> | 125 | 1  | 1610  | 42       | -  | 25 | -   | -   | 25 | -   | -   |
| BT01251   | SPB125-01                           | 1  | <b>125</b> | 132 | 1  | 1610  | 42       | -  | 25 | -   | -   | 25 | -   | -   |
| BT01321   | SPB132-01                           | 1  | <b>132</b> | 139 | 1  | 1610  | 42       | -  | 25 | -   | -   | 25 | -   | -   |
| BT01401   | SPB140-01                           | 1  | <b>140</b> | 147 | 1  | 1610  | 42       | -  | 25 | -   | -   | 25 | -   | -   |
| BT01501   | SPB150-01                           | 1  | <b>150</b> | 157 | 1  | 1610  | 42       | -  | 25 | -   | -   | 25 | -   | -   |
| BT01601   | SPB160-01                           | 1  | <b>160</b> | 167 | 1  | 1610  | 42       | -  | 25 | -   | -   | 25 | -   | -   |
| BT01701   | SPB170-01                           | 1  | <b>170</b> | 177 | 1  | 1610  | 42       | -  | 25 | -   | -   | 25 | -   | -   |
| BT01801   | SPB180-01                           | 1  | <b>180</b> | 187 | 6  | 1610  | 42       | 15 | 25 | 132 | -   | 25 | -   | 90  |
| BT01901   | SPB190-01                           | 1  | <b>190</b> | 197 | 7  | 2012  | 50       | 15 | 25 | 147 | 3,5 | 32 | 3,5 | 104 |
| BT02001   | SPB200-01                           | 1  | <b>200</b> | 207 | 7  | 2012  | 50       | 15 | 25 | 157 | 3,5 | 32 | 3,5 | 104 |
| BT02121   | SPB212-01                           | 1  | <b>212</b> | 219 | 7  | 2012  | 50       | 15 | 25 | 169 | 3,5 | 32 | 3,5 | 104 |
| BT02241   | SPB224-01                           | 1  | <b>224</b> | 231 | 7  | 2012  | 50       | 15 | 25 | 181 | 3,5 | 32 | 3,5 | 104 |
| BT02361   | SPB236-01                           | 1  | <b>236</b> | 243 | 7  | 2012  | 50       | 15 | 25 | 193 | 3,5 | 32 | 3,5 | 104 |
| BT02501   | SPB250-01                           | 1  | <b>250</b> | 257 | 7  | 2012  | 50       | 20 | 25 | 207 | 3,5 | 32 | 3,5 | 104 |
| BT02801   | SPB280-01                           | 1  | <b>280</b> | 287 | 7  | 2012  | 50       | 20 | 25 | 237 | 3,5 | 32 | 3,5 | 104 |
| BT03001   | SPB300-01                           | 1  | <b>300</b> | 307 | 7  | 2012  | 50       | 20 | 25 | 258 | 3,5 | 32 | 3,5 | 104 |
| BT03151   | SPB315-01                           | 1  | <b>315</b> | 322 | 7  | 2012  | 50       | 20 | 25 | 272 | 3,5 | 32 | 3,5 | 104 |





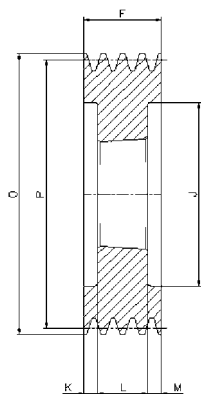
# SPB/2

| Cod. interno<br>Internal code<br>Innerer Code<br>Code interne<br>Código interno | Tipo<br>Type<br>Typ<br>Type<br>Tipo | Gole<br>Grooves<br>Rillen<br>Gorges<br>Canales | P          | O   | Forma<br>Form<br>Forme<br>Forme<br>Forma | Bussola<br>Bush<br>Buchse<br>Moyeu<br>Casquillo | Ø<br>MAX | E  | F  | J   | K    | L  | M    | N   |
|---|-------------------------------------|--|------------|-----|--|---|----------|----|----|-----|------|----|------|-----|
| BT01002   | SPB100-02                           | 2  | <b>100</b> | 107 | 8  | 1610  | 42       | -  | 44 | 62  | 19,0 | 25 | -    | -   |
| BT01062   | SPB106-02                           | 2  | <b>106</b> | 113 | 8  | 1610  | 42       | -  | 44 | 67  | 19,0 | 25 | -    | -   |
| BT01122   | SPB112-02                           | 2  | <b>112</b> | 119 | 8  | 1610  | 42       | -  | 44 | 72  | 19,0 | 25 | -    | -   |
| BT01182   | SPB118-02                           | 2  | <b>118</b> | 125 | 2  | 1610  | 42       | -  | 44 | 78  | -    | 25 | 19,0 | -   |
| BT01252   | SPB125-02                           | 2  | <b>125</b> | 132 | 2  | 2012  | 50       | -  | 44 | 82  | -    | 32 | 12,0 | -   |
| BT01322   | SPB132-02                           | 2  | <b>132</b> | 139 | 2  | 2012  | 50       | -  | 44 | 89  | -    | 32 | 12,0 | -   |
| BT01402   | SPB140-02                           | 2  | <b>140</b> | 147 | 2  | 2012  | 50       | -  | 44 | 97  | -    | 32 | 12,0 | -   |
| BT01502   | SPB150-02                           | 2  | <b>150</b> | 157 | 2  | 2012  | 50       | -  | 44 | 107 | -    | 32 | 12,0 | -   |
| BT01602   | SPB160-02                           | 2  | <b>160</b> | 167 | 2  | 2012  | 50       | -  | 44 | 117 | -    | 32 | 12,0 | -   |
| BT01702   | SPB170-02                           | 2  | <b>170</b> | 177 | 2  | 2012  | 50       | -  | 44 | 127 | -    | 32 | 12,0 | -   |
| BT01802   | SPB180-02                           | 2  | <b>180</b> | 187 | 1  | 2517  | 60       | -  | 44 | -   | -    | 45 | 1,0  | 120 |
| BT01902   | SPB190-02                           | 2  | <b>190</b> | 197 | 1  | 2517  | 60       | -  | 44 | -   | -    | 45 | 1,0  | 120 |
| BT02002   | SPB200-02                           | 2  | <b>200</b> | 207 | 1  | 2517  | 60       | -  | 44 | -   | -    | 45 | 1,0  | 117 |
| BT02122   | SPB212-02                           | 2  | <b>212</b> | 219 | 7  | 2517  | 60       | 20 | 44 | 169 | -    | 45 | 1,0  | 117 |
| BT02242   | SPB224-02                           | 2  | <b>224</b> | 231 | 7  | 2517  | 60       | 15 | 44 | 181 | -    | 45 | 1,0  | 117 |
| BT02362   | SPB236-02                           | 2  | <b>236</b> | 243 | 7  | 2517  | 60       | 15 | 44 | 193 | -    | 45 | 1,0  | 117 |
| BT02502   | SPB250-02                           | 2  | <b>250</b> | 257 | 7  | 2517  | 60       | 20 | 44 | 207 | -    | 45 | 1,0  | 125 |
| BT02802   | SPB280-02                           | 2  | <b>280</b> | 287 | 7  | 2517  | 60       | 20 | 44 | 237 | -    | 45 | 1,0  | 125 |
| BT03002   | SPB300-02                           | 2  | <b>300</b> | 307 | 7  | 2517  | 60       | 20 | 44 | 257 | -    | 45 | 1,0  | 125 |
| BT03152   | SPB315-02                           | 2  | <b>315</b> | 322 | 7  | 2517  | 60       | 20 | 44 | 272 | -    | 45 | 1,0  | 125 |
| BT03352   | SPB335-02                           | 2  | <b>335</b> | 342 | 7  | 2517  | 60       | 20 | 44 | 292 | -    | 45 | 1,0  | 125 |
| BT03552   | SPB355-02                           | 2  | <b>355</b> | 362 | 7  | 3020  | 75       | 15 | 44 | 312 | 3,5  | 51 | 3,5  | 144 |
| BT04002   | SPB400-02                           | 2  | <b>400</b> | 407 | 4  | 3020  | 75       | -  | 44 | 357 | 3,5  | 51 | 3,5  | 150 |
| BT04502   | SPB450-02                           | 2  | <b>450</b> | 457 | 4  | 3020  | 75       | -  | 44 | 407 | 3,5  | 51 | 3,5  | 150 |
| BT05002   | SPB500-02                           | 2  | <b>500</b> | 507 | 4  | 3020  | 75       | -  | 44 | 457 | 3,5  | 51 | 3,5  | 150 |
| BT05602   | SPB560-02                           | 2  | <b>560</b> | 567 | 4  | 3030  | 75       | -  | 44 | 517 | 4,0  | 76 | 28,0 | 150 |
| BT06302   | SPB630-02                           | 2  | <b>630</b> | 637 | 4  | 3030  | 75       | -  | 44 | 587 | 16,0 | 76 | 16,0 | 150 |

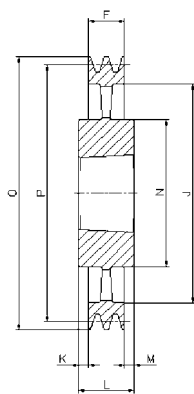


# SPB/3

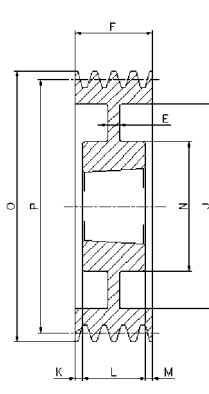
| Cod. interno<br>Internal code<br>Innerer Code<br>Code interne<br>Código interno | Tipo<br>Type<br>Typ<br>Type<br>Tipo | Gole<br>Grooves<br>Rillen<br>Gorges<br>Canales | P    | O    | Forma<br>Form<br>Forme<br>Forme<br>Forma | Bussola<br>Bush<br>Buchse<br>Moyeu<br>Casquillo | Ø<br>MAX | E  | F  | J    | K    | L   | M    | N   |
|---|-------------------------------------|--|------|------|--|---|----------|----|----|------|------|-----|------|-----|
| BT01003   | SPB100-03                           | 3  | 100  | 107  | 8  | 1610  | 42       | -  | 63 | 62   | 38,0 | 25  | -    | -   |
| BT01063   | SPB106-03                           | 3  | 106  | 113  | 8  | 1610  | 42       | -  | 63 | 67   | 38,0 | 25  | -    | -   |
| BT01123   | SPB112-03                           | 3  | 112  | 119  | 8  | 1610  | 42       | -  | 63 | 72   | 38,0 | 25  | -    | -   |
| BT01183   | SPB118-03                           | 3  | 118  | 125  | 2  | 1610  | 42       | -  | 63 | 78   | -    | 25  | 38,0 | -   |
| BT01253   | SPB125-03                           | 3  | 125  | 132  | 2  | 2012  | 50       | -  | 63 | 82   | -    | 32  | 31,0 | -   |
| BT01323   | SPB132-03                           | 3  | 132  | 139  | 2  | 2012  | 50       | -  | 63 | 89   | -    | 32  | 31,0 | -   |
| BT01403   | SPB140-03                           | 3  | 140  | 147  | 2  | 2012  | 50       | -  | 63 | 97   | -    | 32  | 31,0 | -   |
| BT01503   | SPB150-03                           | 3  | 150  | 157  | 2  | 2517  | 60       | -  | 63 | 107  | -    | 45  | 18,0 | -   |
| BT01603   | SPB160-03                           | 3  | 160  | 167  | 2  | 2517  | 60       | -  | 63 | 117  | -    | 45  | 18,0 | -   |
| BT01703   | SPB170-03                           | 3  | 170  | 177  | 2  | 2517  | 60       | -  | 63 | 127  | -    | 45  | 18,0 | -   |
| BT01803   | SPB180-03                           | 3  | 180  | 187  | 2  | 2517  | 60       | -  | 63 | 137  | -    | 45  | 18,0 | -   |
| BT01903   | SPB190-03                           | 3  | 190  | 197  | 2  | 2517  | 60       | -  | 63 | 147  | -    | 45  | 18,0 | -   |
| BT02003   | SPB200-03                           | 3  | 200  | 207  | 2  | 2517  | 60       | -  | 63 | 157  | -    | 45  | 18,0 | -   |
| BT02123   | SPB212-03                           | 3  | 212  | 219  | 6  | 2517  | 60       | 15 | 63 | 169  | -    | 45  | 18,0 | 117 |
| BT02243   | SPB224-03                           | 3  | 224  | 231  | 6  | 2517  | 60       | 15 | 63 | 181  | -    | 45  | 18,0 | 117 |
| BT02363   | SPB236-03                           | 3  | 236  | 243  | 6  | 2517  | 60       | 15 | 63 | 193  | -    | 45  | 18,0 | 117 |
| BT02503   | SPB250-03                           | 3  | 250  | 257  | 6  | 3020  | 75       | 20 | 63 | 207  | -    | 51  | 12,0 | 144 |
| BT02803   | SPB280-03                           | 3  | 280  | 287  | 6  | 3020  | 75       | 20 | 63 | 237  | 6,0  | 51  | 6,0  | 144 |
| BT03003   | SPB300-03                           | 3  | 300  | 307  | 6  | 3020  | 75       | 20 | 63 | 257  | 6,0  | 51  | 6,0  | 144 |
| BT03153   | SPB315-03                           | 3  | 315  | 322  | 6  | 3020  | 75       | 20 | 63 | 272  | 6,0  | 51  | 6,0  | 144 |
| BT03353   | SPB335-03                           | 3  | 335  | 342  | 6  | 3020  | 75       | 20 | 63 | 292  | 6,0  | 51  | 6,0  | 144 |
| BT03553   | SPB355-03                           | 3  | 355  | 362  | 6  | 3020  | 75       | 15 | 63 | 312  | 6,0  | 51  | 6,0  | 144 |
| BT04003   | SPB400-03                           | 3  | 400  | 407  | 4  | 3535  | 90       | -  | 63 | 357  | 13,0 | 89  | 13,0 | 175 |
| BT04503   | SPB450-03                           | 3  | 450  | 457  | 4  | 3535  | 90       | -  | 63 | 407  | -    | 89  | 26,0 | 175 |
| BT05003   | SPB500-03                           | 3  | 500  | 507  | 4  | 3535  | 90       | -  | 63 | 457  | -    | 89  | 26,0 | 175 |
| BT05603   | SPB560-03                           | 3  | 560  | 567  | 4  | 3535  | 90       | -  | 63 | 517  | -    | 89  | 26,0 | 175 |
| BT06303   | SPB630-03                           | 3  | 630  | 637  | 4  | 3535  | 90       | -  | 63 | 587  | -    | 89  | 26,0 | 175 |
| BT07103   | SPB710-03                           | 3  | 710  | 717  | 4  | 3535  | 90       | -  | 63 | 664  | 13,0 | 89  | 13,0 | 175 |
| BT08003   | SPB800-03                           | 3  | 800  | 807  | 4  | 3535  | 90       | -  | 63 | 754  | 13,0 | 89  | 13,0 | 175 |
| BT09003   | SPB900-03                           | 3  | 900  | 907  | 4  | 3535  | 90       | -  | 63 | 854  | 13,0 | 89  | 13,0 | 175 |
| BT10003   | SPB1000-03                          | 3  | 1000 | 1007 | 4  | 4040  | 100      | -  | 63 | 954  | 19,5 | 102 | 19,5 | 210 |
| BT12503   | SPB1250-03                          | 3  | 1250 | 1257 | 4  | 4040  | 100      | -  | 63 | 1204 | 19,5 | 102 | 19,5 | 210 |



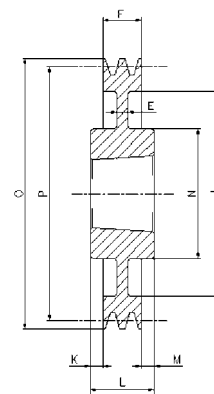
3



4



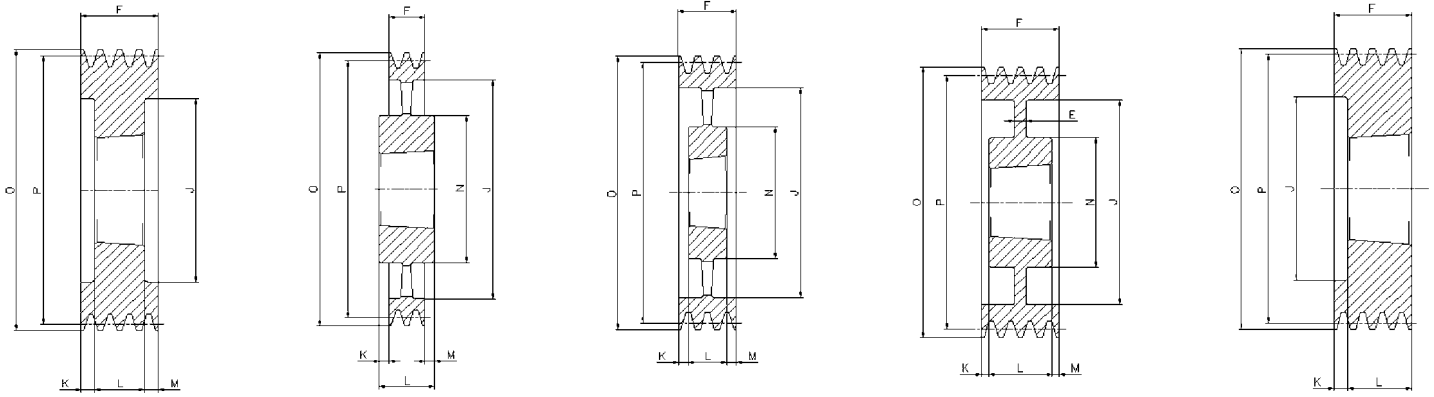
6



7

# SPB/4

| Cod. interno<br>Internal code<br>Innerer Code<br>Code interne<br>Código interno | Tipo<br>Type<br>Typ<br>Type<br>Tipo | Gole<br>Grooves<br>Rillen<br>Gorges<br>Canales | P    | O    | Forma<br>Form<br>Forme<br>Forme<br>Forma | Bussola<br>Bush<br>Buchse<br>Moyeu<br>Casquillo | Ø<br>MAX | E  | F  | J    | K    | L   | M    | N   |
|---|-------------------------------------|--|------|------|--|---|----------|----|----|------|------|-----|------|-----|
| BT01124   | SPB112-04                           | 4  | 112  | 119  | 8  | 1610  | 42       | -  | 82 | 72   | 57,0 | 25  | -    | -   |
| BT01254   | SPB125-04                           | 4  | 125  | 132  | 3  | 2012  | 50       | -  | 82 | 82   | 25,0 | 32  | 25,0 | -   |
| BT01324   | SPB132-04                           | 4  | 132  | 139  | 3  | 2012  | 50       | -  | 82 | 89   | 25,0 | 32  | 25,0 | -   |
| BT01404   | SPB140-04                           | 4  | 140  | 147  | 3  | 2517  | 60       | -  | 82 | 100  | 18,5 | 45  | 18,5 | -   |
| BT01504   | SPB150-04                           | 4  | 150  | 157  | 3  | 2517  | 60       | -  | 82 | 107  | 18,5 | 45  | 18,5 | -   |
| BT01604   | SPB160-04                           | 4  | 160  | 167  | 3  | 2517  | 60       | -  | 82 | 117  | 18,5 | 45  | 18,5 | -   |
| BT01704   | SPB170-04                           | 4  | 170  | 177  | 3  | 2517  | 60       | -  | 82 | 127  | 18,5 | 45  | 18,5 | -   |
| BT01804   | SPB180-04                           | 4  | 180  | 187  | 3  | 2517  | 60       | -  | 82 | 137  | 18,5 | 45  | 18,5 | -   |
| BT01904   | SPB190-04                           | 4  | 190  | 197  | 3  | 2517  | 60       | -  | 82 | 147  | 18,5 | 45  | 18,5 | -   |
| BT02004   | SPB200-04                           | 4  | 200  | 207  | 3  | 3020  | 75       | -  | 82 | 157  | 15,5 | 51  | 15,5 | -   |
| BT02124   | SPB212-04                           | 4  | 212  | 219  | 3  | 3020  | 75       | -  | 82 | 169  | 15,5 | 51  | 15,5 | -   |
| BT02244   | SPB224-04                           | 4  | 224  | 231  | 3  | 3020  | 75       | -  | 82 | 181  | 15,5 | 51  | 15,5 | -   |
| BT02364   | SPB236-04                           | 4  | 236  | 243  | 3  | 3020  | 75       | -  | 82 | 193  | 15,5 | 51  | 15,5 | -   |
| BT02504   | SPB250-04                           | 4  | 250  | 257  | 6  | 3020  | 75       | 25 | 82 | 207  | 15,5 | 51  | 15,5 | 144 |
| BT02804   | SPB280-04                           | 4  | 280  | 287  | 6  | 3020  | 75       | 25 | 82 | 237  | 15,5 | 51  | 15,5 | 144 |
| BT03004   | SPB300-04                           | 4  | 300  | 307  | 7  | 3535  | 90       | 25 | 82 | 257  | -    | 89  | 7,0  | 175 |
| BT03154   | SPB315-04                           | 4  | 315  | 322  | 7  | 3535  | 90       | 25 | 82 | 272  | 3,5  | 89  | 3,5  | 175 |
| BT03354   | SPB335-04                           | 4  | 335  | 342  | 7  | 3535  | 90       | 25 | 82 | 292  | 3,5  | 89  | 3,5  | 175 |
| BT03554   | SPB355-04                           | 4  | 355  | 362  | 7  | 3535  | 90       | 25 | 82 | 312  | 3,5  | 89  | 3,5  | 175 |
| BT04004   | SPB400-04                           | 4  | 400  | 407  | 4  | 3535  | 90       | -  | 82 | 357  | 3,5  | 89  | 3,5  | 175 |
| BT04504   | SPB450-04                           | 4  | 450  | 457  | 4  | 3535  | 90       | -  | 82 | 407  | -    | 89  | 7,0  | 175 |
| BT05004   | SPB500-04                           | 4  | 500  | 507  | 4  | 3535  | 90       | -  | 82 | 457  | -    | 89  | 7,0  | 175 |
| BT05604   | SPB560-04                           | 4  | 560  | 567  | 4  | 3535  | 90       | -  | 82 | 517  | -    | 89  | 7,0  | 175 |
| BT06304   | SPB630-04                           | 4  | 630  | 637  | 4  | 3535  | 90       | -  | 82 | 587  | -    | 89  | 7,0  | 175 |
| BT07104   | SPB710-04                           | 4  | 710  | 717  | 4  | 3535  | 90       | -  | 82 | 664  | 3,5  | 89  | 3,5  | 175 |
| BT08004   | SPB800-04                           | 4  | 800  | 807  | 4  | 4040  | 100      | -  | 82 | 754  | 10,0 | 102 | 10,0 | 210 |
| BT09004   | SPB900-04                           | 4  | 900  | 907  | 4  | 4040  | 100      | -  | 82 | 854  | 10,0 | 102 | 10,0 | 210 |
| BT10004   | SPB1000-04                          | 4  | 1000 | 1007 | 4  | 4040  | 100      | -  | 82 | 954  | 10,0 | 102 | 16,0 | 210 |
| BT12504   | SPB1250-04                          | 4  | 1250 | 1257 | 4  | 4545  | 110      | -  | 82 | 1204 | 16,0 | 114 | 16,0 | 210 |



3

4

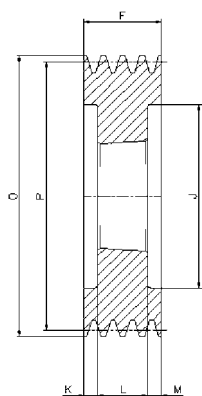
5

6

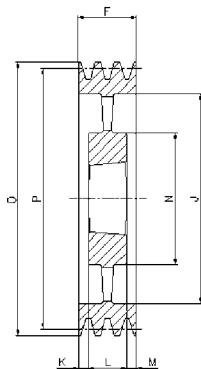
8

# SPB/5

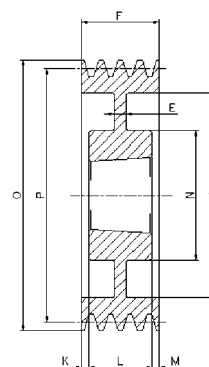
| Cod. interno<br>Internal code<br>Code interne<br>Código interno | Tipo<br>Type<br>Typ<br>Type<br>Tipo | Gole<br>Grooves<br>Rillen<br>Gorges<br>Canales | P    | O    | Forma<br>Form<br>Forme<br>Forme<br>Forma | Bussola<br>Bush<br>Buchse<br>Moyeu<br>Casquillo | Ø<br>MAX | E  | F   | J    | K    | L   | M    | N   |
|---|-------------------------------------|--|------|------|--|---|----------|----|-----|------|------|-----|------|-----|
| BT01255   | SPB125-05                           | 5  | 125  | 132  | 8  | 2012  | 50       | -  | 101 | 87   | 69,0 | 32  | -    | -   |
| BT01325   | SPB132-05                           | 5  | 132  | 139  | 8  | 2517  | 60       | -  | 101 | 94   | 56,0 | 45  | -    | -   |
| BT01405   | SPB140-05                           | 5  | 140  | 147  | 3  | 2517  | 60       | -  | 101 | 97   | 28,0 | 45  | 28,0 | -   |
| BT01505   | SPB150-05                           | 5  | 150  | 157  | 3  | 2517  | 60       | -  | 101 | 107  | 28,0 | 45  | 28,0 | -   |
| BT01605   | SPB160-05                           | 5  | 160  | 167  | 3  | 2517  | 60       | -  | 101 | 117  | 28,0 | 45  | 28,0 | -   |
| BT01705   | SPB170-05                           | 5  | 170  | 177  | 3  | 3020  | 75       | -  | 101 | 127  | 25,0 | 51  | 25,0 | -   |
| BT01805   | SPB180-05                           | 5  | 180  | 187  | 3  | 3020  | 75       | -  | 101 | 137  | 25,0 | 51  | 25,0 | -   |
| BT01905   | SPB190-05                           | 5  | 190  | 197  | 3  | 3020  | 75       | -  | 101 | 147  | 25,0 | 51  | 25,0 | -   |
| BT02005   | SPB200-05                           | 5  | 200  | 207  | 3  | 3020  | 75       | -  | 101 | 157  | 25,0 | 51  | 25,0 | -   |
| BT02125   | SPB212-05                           | 5  | 212  | 219  | 3  | 3020  | 75       | -  | 101 | 169  | 25,0 | 51  | 25,0 | -   |
| BT02245   | SPB224-05                           | 5  | 224  | 231  | 3  | 3020  | 75       | -  | 101 | 181  | 25,0 | 51  | 25,0 | -   |
| BT02365   | SPB236-05                           | 5  | 236  | 243  | 3  | 3535  | 90       | -  | 101 | 193  | 6,0  | 89  | 6,0  | -   |
| BT02505   | SPB250-05                           | 5  | 250  | 257  | 3  | 3535  | 90       | -  | 101 | 207  | 6,0  | 89  | 6,0  | -   |
| BT02805   | SPB280-05                           | 5  | 280  | 287  | 6  | 3535  | 90       | 25 | 101 | 237  | 6,0  | 89  | 6,0  | 175 |
| BT03005   | SPB300-05                           | 5  | 300  | 307  | 6  | 3535  | 90       | 25 | 101 | 257  | 6,0  | 89  | 6,0  | 175 |
| BT03155   | SPB315-05                           | 5  | 315  | 322  | 6  | 3535  | 90       | 25 | 101 | 272  | 6,0  | 89  | 6,0  | 175 |
| BT03355   | SPB335-05                           | 5  | 335  | 342  | 6  | 3535  | 90       | 25 | 101 | 292  | 6,0  | 89  | 6,0  | 175 |
| BT03555   | SPB355-05                           | 5  | 355  | 362  | 6  | 3535  | 90       | 17 | 101 | 312  | 6,0  | 89  | 6,0  | 175 |
| BT04005   | SPB400-05                           | 5  | 400  | 407  | 5  | 3535  | 90       | -  | 101 | 357  | 6,0  | 89  | 6,0  | 175 |
| BT04505   | SPB450-05                           | 5  | 450  | 457  | 5  | 3535  | 90       | -  | 101 | 407  | -    | 89  | 12,0 | 175 |
| BT05005   | SPB500-05                           | 5  | 500  | 507  | 5  | 3535  | 90       | -  | 101 | 457  | -    | 89  | 12,0 | 175 |
| BT05605   | SPB560-05                           | 5  | 560  | 567  | 4  | 4040  | 100      | -  | 101 | 517  | -    | 102 | 1,0  | 210 |
| BT06305   | SPB630-05                           | 5  | 630  | 637  | 4  | 4040  | 100      | -  | 101 | 587  | -    | 102 | 1,0  | 210 |
| BT07105   | SPB710-05                           | 5  | 710  | 717  | 4  | 4040  | 100      | -  | 101 | 664  | -    | 102 | 1,0  | 210 |
| BT08005   | SPB800-05                           | 5  | 800  | 807  | 4  | 4040  | 100      | -  | 101 | 754  | -    | 102 | 1,0  | 210 |
| BT09005   | SPB900-05                           | 5  | 900  | 907  | 4  | 4040  | 100      | -  | 101 | 854  | -    | 102 | 1,0  | 210 |
| BT10005   | SPB1000-05                          | 5  | 1000 | 1007 | 4  | 4545  | 110      | -  | 101 | 954  | 6,5  | 114 | 6,5  | 242 |
| BT12505   | SPB1250-05                          | 5  | 1250 | 1257 | 4  | 4545  | 110      | -  | 101 | 1204 | 6,5  | 114 | 6,5  | 242 |



3



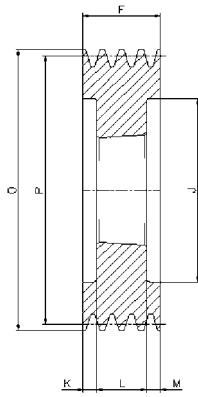
5



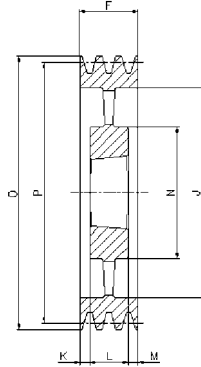
6

# SPB/6

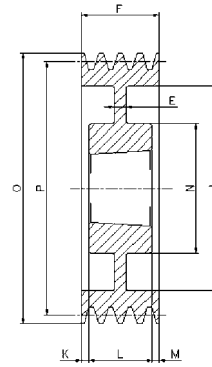
| Cod. interno<br>Internal code<br>Inner Code<br>Code interne<br>Código interno | Tipo<br>Type<br>Typ<br>Type<br>Tipo | Gole<br>Grooves<br>Rillen<br>Gorges<br>Canales | P    | O    | Forma<br>Forme<br>Forme<br>Forme<br>Forma | Bussola<br>Bush<br>Buchse<br>Moyeu<br>Casquillo | ∅<br>MAX | E  | F   | J    | K    | L   | M    | N   |
|---|-------------------------------------|--|------|------|---|---|----------|----|-----|------|------|-----|------|-----|
| BT01406   | SPB140-06                           | 6  | 140  | 147  | 3   | 2517  | 60       | -  | 120 | 100  | 37,5 | 45  | 37,5 | -   |
| BT01506   | SPB150-06                           | 6  | 150  | 157  | 3   | 2517  | 60       | -  | 120 | 107  | 37,5 | 45  | 37,5 | -   |
| BT01606   | SPB160-06                           | 6  | 160  | 167  | 3   | 3020  | 75       | -  | 120 | 117  | 34,5 | 51  | 34,5 | -   |
| BT01706   | SPB170-06                           | 6  | 170  | 177  | 3   | 3020  | 75       | -  | 120 | 127  | 34,5 | 51  | 34,5 | -   |
| BT01806   | SPB180-06                           | 6  | 180  | 187  | 3   | 3020  | 75       | -  | 120 | 137  | 34,5 | 51  | 34,5 | -   |
| BT01906   | SPB190-06                           | 6  | 190  | 197  | 3   | 3020  | 75       | -  | 120 | 147  | 34,5 | 51  | 34,5 | -   |
| BT02006   | SPB200-06                           | 6  | 200  | 207  | 3   | 3020  | 75       | -  | 120 | 157  | 34,5 | 51  | 34,5 | -   |
| BT02126   | SPB212-06                           | 6  | 212  | 219  | 3   | 3535  | 90       | -  | 120 | 169  | 15,5 | 89  | 15,5 | -   |
| BT02246   | SPB224-06                           | 6  | 224  | 231  | 3   | 3535  | 90       | -  | 120 | 181  | 15,5 | 89  | 15,5 | -   |
| BT02366   | SPB236-06                           | 6  | 236  | 243  | 3   | 3535  | 90       | -  | 120 | 193  | 15,5 | 89  | 15,5 | -   |
| BT02506   | SPB250-06                           | 6  | 250  | 257  | 3   | 3535  | 90       | -  | 120 | 207  | 15,5 | 89  | 15,5 | -   |
| BT02806   | SPB280-06                           | 6  | 280  | 287  | 6   | 3535  | 90       | 25 | 120 | 237  | 15,5 | 89  | 15,5 | 175 |
| BT03006   | SPB300-06                           | 6  | 300  | 307  | 6   | 3535  | 90       | 25 | 120 | 257  | 15,5 | 89  | 15,5 | 175 |
| BT03156   | SPB315-06                           | 6  | 315  | 322  | 6   | 3535  | 90       | 25 | 120 | 272  | 15,5 | 89  | 15,5 | 175 |
| BT03356   | SPB335-06                           | 6  | 335  | 342  | 6   | 3535  | 90       | 25 | 120 | 292  | 15,5 | 89  | 15,5 | 175 |
| BT03556   | SPB355-06                           | 6  | 355  | 362  | 6   | 3535  | 90       | 25 | 120 | 312  | 15,5 | 89  | 15,5 | 175 |
| BT04006   | SPB400-06                           | 6  | 400  | 407  | 5   | 3535  | 90       | -  | 120 | 357  | 15,5 | 89  | 15,5 | 175 |
| BT04506   | SPB450-06                           | 6  | 450  | 457  | 5   | 4040  | 100      | -  | 120 | 407  | -    | 102 | 18,0 | 210 |
| BT05006   | SPB500-06                           | 6  | 500  | 507  | 5   | 4040  | 100      | -  | 120 | 457  | -    | 102 | 18,0 | 210 |
| BT05606   | SPB560-06                           | 6  | 560  | 567  | 5   | 4040  | 100      | -  | 120 | 517  | -    | 102 | 18,0 | 210 |
| BT06306   | SPB630-06                           | 6  | 630  | 637  | 5   | 4040  | 100      | -  | 120 | 587  | -    | 102 | 18,0 | 210 |
| BT07106   | SPB710-06                           | 6  | 710  | 717  | 5   | 4040  | 100      | -  | 120 | 664  | 9,0  | 102 | 9,0  | 210 |
| BT08006   | SPB800-06                           | 6  | 800  | 807  | 5   | 4545  | 110      | -  | 120 | 754  | 3,0  | 114 | 3,0  | 242 |
| BT09006   | SPB900-06                           | 6  | 900  | 907  | 5   | 4545  | 110      | -  | 120 | 854  | 3,0  | 114 | 3,0  | 242 |
| BT10006   | SPB1000-06                          | 6  | 1000 | 1007 | 5   | 4545  | 110      | -  | 120 | 954  | 3,0  | 114 | 3,0  | 242 |
| BT12506   | SPB1250-06                          | 6  | 1250 | 1257 | 5   | 4545  | 110      | -  | 120 | 1204 | 3,0  | 114 | 3,0  | 242 |



3



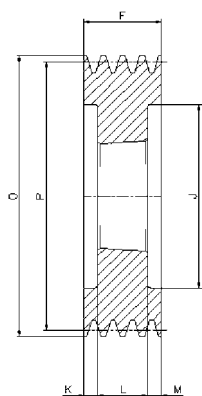
5



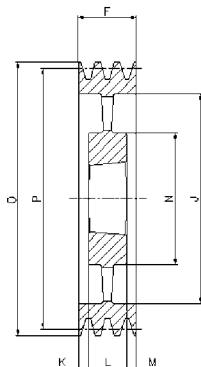
6

# SPB/8

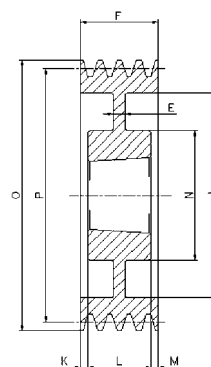
| Cod. interno<br>Internal code<br>Innerer Code<br>Code interne<br>Código interno | Tipo<br>Type<br>Typ<br>Type<br>Tipo | Gole<br>Grooves<br>Rillen<br>Gorges<br>Canales | P    | O    | Forma<br>Form<br>Forme<br>Forme<br>Forma | Bussola<br>Bush<br>Buchse<br>Moyeu<br>Casquillo | Ø<br>MAX | E  | F   | J    | K    | L   | M    | N   |
|---|-------------------------------------|--|------|------|--|---|----------|----|-----|------|------|-----|------|-----|
| BT01408   | SPB140-08                           | 8  | 140  | 147  | 3  | 2517  | 60       | -  | 158 | 97   | 56,5 | 45  | 56,5 | -   |
| BT01608   | SPB160-08                           | 8  | 160  | 167  | 3  | 3020  | 75       | -  | 158 | 117  | 53,5 | 51  | 53,5 | -   |
| BT01708   | SPB170-08                           | 8  | 170  | 177  | 3  | 3030  | 75       | -  | 158 | 127  | 41,0 | 76  | 41,0 | -   |
| BT01808   | SPB180-08                           | 8  | 180  | 187  | 3  | 3030  | 75       | -  | 158 | 137  | 41,0 | 76  | 41,0 | -   |
| BT01908   | SPB190-08                           | 8  | 190  | 197  | 3  | 3030  | 75       | -  | 158 | 147  | 41,0 | 76  | 41,0 | -   |
| BT02008   | SPB200-08                           | 8  | 200  | 207  | 3  | 3535  | 90       | -  | 158 | 157  | 34,5 | 89  | 34,5 | -   |
| BT02128   | SPB212-08                           | 8  | 212  | 219  | 3  | 3535  | 90       | -  | 158 | 169  | 34,5 | 89  | 34,5 | -   |
| BT02248   | SPB224-08                           | 8  | 224  | 231  | 3  | 3535  | 90       | -  | 158 | 181  | 34,5 | 89  | 34,5 | -   |
| BT02368   | SPB236-08                           | 8  | 236  | 243  | 3  | 3535  | 90       | -  | 158 | 193  | 34,5 | 89  | 34,5 | -   |
| BT02508   | SPB250-08                           | 8  | 250  | 257  | 3  | 3535  | 90       | -  | 158 | 207  | 34,5 | 89  | 34,5 | -   |
| BT02808   | SPB280-08                           | 8  | 280  | 287  | 6  | 3535  | 90       | 25 | 158 | 237  | 34,5 | 89  | 34,5 | 175 |
| BT03008   | SPB300-08                           | 8  | 300  | 307  | 6  | 3535  | 90       | 25 | 158 | 257  | 34,5 | 89  | 34,5 | 175 |
| BT03158   | SPB315-08                           | 8  | 315  | 322  | 6  | 3535  | 90       | 25 | 158 | 272  | 34,5 | 89  | 34,5 | 175 |
| BT03358   | SPB335-08                           | 8  | 335  | 342  | 6  | 3535  | 90       | 25 | 158 | 292  | 34,5 | 89  | 34,5 | 175 |
| BT03558   | SPB355-08                           | 8  | 355  | 362  | 6  | 3535  | 90       | 25 | 158 | 312  | 34,5 | 89  | 34,5 | 175 |
| BT04008   | SPB400-08                           | 8  | 400  | 407  | 6  | 4040  | 100      | 30 | 158 | 357  | 28,0 | 102 | 28,0 | 210 |
| BT04508   | SPB450-08                           | 8  | 450  | 457  | 5  | 4040  | 100      | -  | 158 | 407  | 28,0 | 102 | 28,0 | 210 |
| BT05008   | SPB500-08                           | 8  | 500  | 507  | 5  | 4040  | 100      | -  | 158 | 457  | 28,0 | 102 | 28,0 | 210 |
| BT05608   | SPB560-08                           | 8  | 560  | 567  | 5  | 4545  | 110      | -  | 158 | 517  | 22,0 | 114 | 22,0 | 242 |
| BT06308   | SPB630-08                           | 8  | 630  | 637  | 5  | 4545  | 110      | -  | 158 | 587  | 22,0 | 114 | 22,0 | 242 |
| BT07108   | SPB710-08                           | 8  | 710  | 717  | 5  | 4545  | 110      | -  | 158 | 664  | 22,0 | 114 | 22,0 | 242 |
| BT08008   | SPB800-08                           | 8  | 800  | 807  | 5  | 4545  | 110      | -  | 158 | 754  | 22,0 | 114 | 22,0 | 242 |
| BT09008   | SPB900-08                           | 8  | 900  | 907  | 5  | 4545  | 110      | -  | 158 | 854  | 22,0 | 114 | 22,0 | 242 |
| BT10008   | SPB1000-08                          | 8  | 1000 | 1007 | 5  | 5050  | 125      | -  | 158 | 954  | 15,5 | 127 | 15,5 | 267 |
| BT12508   | SPB1250-08                          | 8  | 1250 | 1257 | 5  | 5050  | 125      | -  | 158 | 1204 | 15,5 | 127 | 15,5 | 267 |



3



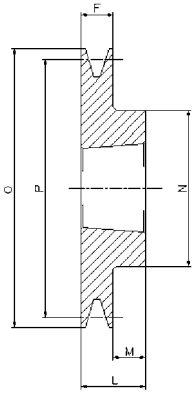
5



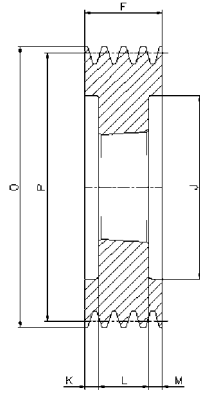
6

# SPB/10

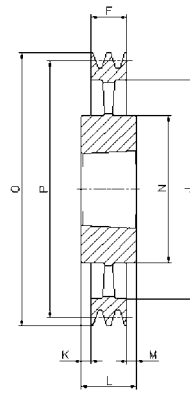
| Cod. interno<br>Internal code<br>Innerer Code<br>Code interne<br>Código interno | Tipo<br>Type<br>Typ<br>Type<br>Tipo | Gole<br>Grooves<br>Rillen<br>Gorges<br>Canales | P           | O    | Forma<br>Form<br>Forme<br>Forme<br>Forma | Bussola<br>Bush<br>Buchse<br>Moyeu<br>Casquillo | ∅<br>MAX | E  | F   | J   | K    | L   | M    | N   |
|---|-------------------------------------|--|-------------|------|--|---|----------|----|-----|-----|------|-----|------|-----|
| BT0224X   | SPB224-10                           | 10   | <b>224</b>  | 231  | 3  | 3535  | 90       | -  | 196 | 181 | 53,5 | 89  | 53,5 | -   |
| BT0236X   | SPB236-10                           | 10   | <b>236</b>  | 243  | 3  | 3535  | 90       | -  | 196 | 193 | 53,5 | 89  | 53,5 | -   |
| BT0250X   | SPB250-10                           | 10   | <b>250</b>  | 257  | 3  | 3535  | 90       | -  | 196 | 207 | 53,5 | 89  | 53,5 | -   |
| BT0280X   | SPB280-10                           | 10   | <b>280</b>  | 287  | 6  | 3535  | 90       | 30 | 196 | 237 | 53,5 | 89  | 53,5 | 175 |
| BT0315X   | SPB315-10                           | 10   | <b>315</b>  | 322  | 6  | 3535  | 90       | 30 | 196 | 272 | 53,5 | 89  | 53,5 | 175 |
| BT0335X   | SPB335-10                           | 10   | <b>335</b>  | 342  | 6  | 4040  | 100      | 30 | 196 | 292 | 47,0 | 102 | 47,0 | 210 |
| BT0355X   | SPB355-10                           | 10   | <b>355</b>  | 362  | 6  | 4040  | 100      | 30 | 196 | 312 | 47,0 | 102 | 47,0 | 210 |
| BT0400X   | SPB400-10                           | 10   | <b>400</b>  | 407  | 6  | 4040  | 100      | 30 | 196 | 357 | 47,0 | 102 | 47,0 | 210 |
| BT0450X   | SPB450-10                           | 10   | <b>450</b>  | 457  | 5  | 4545  | 110      | -  | 196 | 407 | 41,0 | 114 | 41,0 | 242 |
| BT0500X   | SPB500-10                           | 10   | <b>500</b>  | 507  | 5  | 4545  | 110      | -  | 196 | 457 | 41,0 | 114 | 41,0 | 242 |
| BT0560X   | SPB560-10                           | 10   | <b>560</b>  | 567  | 5  | 4545  | 110      | -  | 196 | 517 | 41,0 | 114 | 41,0 | 242 |
| BT0630X   | SPB630-10                           | 10   | <b>630</b>  | 637  | 5  | 4545  | 110      | -  | 196 | 587 | 41,0 | 114 | 41,0 | 242 |
| BT0710X   | SPB710-10                           | 10   | <b>710</b>  | 717  | 5  | 4545  | 110      | -  | 196 | 664 | 41,0 | 114 | 41,0 | 242 |
| BT0800X   | SPB800-10                           | 10   | <b>800</b>  | 807  | 5  | 4545  | 110      | -  | 196 | 754 | 41,0 | 114 | 41,0 | 242 |
| BT0900X   | SPB900-10                           | 10   | <b>900</b>  | 907  | 5  | 5050  | 125      | -  | 196 | 854 | 34,5 | 127 | 34,5 | 267 |
| BT1000X   | SPB1000-10                          | 10   | <b>1000</b> | 1007 | 5  | 5050  | 125      | -  | 196 | 954 | 34,5 | 127 | 34,5 | 267 |



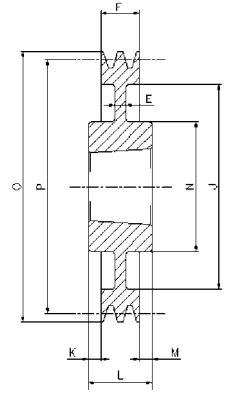
1



3



4

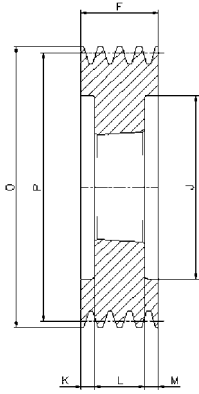


7

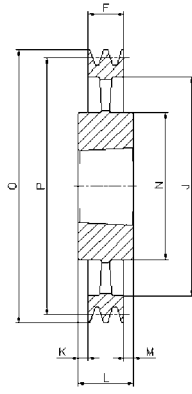
# SPC/3

| Cod. interno<br>Internal code<br>Innerer Code<br>Code interne<br>Código interno | Tipo<br>Type<br>Typ<br>Type<br>Tipo | Gole<br>Grooves<br>Rillen<br>Gorges<br>Canales | P    | O      | Forma<br>Form<br>Forme<br>Forme<br>Forma | Bussola<br>Bush<br>Buchse<br>Moyeu<br>Casquillo | ∅<br>MAX | E  | F  | J    | K    | L   | M    | N   |
|---|-------------------------------------|--|------|--------|--|---|----------|----|----|------|------|-----|------|-----|
| CT02003   | SPC200-03                           | 3  | 200  | 209,6  | 3  | 2517  | 60       | -  | 85 | 144  | 20,0 | 45  | 20,0 | -   |
| CT02123   | SPC212-03                           | 3  | 212  | 221,6  | 3  | 3020  | 75       | -  | 85 | 156  | 17,0 | 51  | 17,0 | -   |
| CT02243   | SPC224-03                           | 3  | 224  | 233,6  | 3  | 3020  | 75       | -  | 85 | 168  | 17,0 | 51  | 17,0 | -   |
| CT02363   | SPC236-03                           | 3  | 236  | 245,6  | 3  | 3020  | 75       | -  | 85 | 180  | 17,0 | 51  | 17,0 | -   |
| CT02503   | SPC250-03                           | 3  | 250  | 259,6  | 3  | 3020  | 75       | -  | 85 | 194  | 17,0 | 51  | 17,0 | -   |
| CT02653   | SPC265-03                           | 3  | 265  | 274,6  | 1  | 3535  | 90       | -  | 85 | 209  | -    | 89  | 4,0  | 175 |
| CT02803   | SPC280-03                           | 3  | 280  | 289,6  | 1  | 3535  | 90       | -  | 85 | 224  | -    | 89  | 4,0  | 175 |
| CT03003   | SPC300-03                           | 3  | 300  | 309,6  | 7  | 3535  | 90       | 20 | 85 | 244  | 2,0  | 89  | 2,0  | 175 |
| CT03153   | SPC315-03                           | 3  | 315  | 324,6  | 7  | 3535  | 90       | 20 | 85 | 259  | 2,0  | 89  | 2,0  | 175 |
| CT03353   | SPC335-03                           | 3  | 335  | 344,6  | 7  | 3535  | 90       | 20 | 85 | 279  | 2,0  | 89  | 2,0  | 175 |
| CT03553   | SPC355-03                           | 3  | 355  | 364,6  | 7  | 3535  | 90       | 20 | 85 | 299  | 2,0  | 89  | 2,0  | 175 |
| CT03753   | SPC375-03                           | 3  | 375  | 384,6  | 7  | 3535  | 90       | 25 | 85 | 319  | 2,0  | 89  | 2,0  | 175 |
| CT04003   | SPC400-03                           | 3  | 400  | 409,6  | 7  | 3535  | 90       | 17 | 85 | 344  | 2,0  | 89  | 2,0  | 175 |
| CT04253   | SPC425-03                           | 3  | 425  | 434,6  | 7  | 3535  | 90       | 17 | 85 | 369  | 2,0  | 89  | 2,0  | 175 |
| CT04503   | SPC450-03                           | 3  | 450  | 459,6  | 4  | 3535  | 90       | -  | 85 | 394  | 2,0  | 89  | 2,0  | 175 |
| CT04753   | SPC475-03                           | 3  | 475  | 484,6  | 4  | 3535  | 90       | -  | 85 | 419  | 2,0  | 89  | 2,0  | 175 |
| CT05003   | SPC500-03                           | 3  | 500  | 509,6  | 4  | 3535  | 90       | -  | 85 | 444  | 2,0  | 89  | 2,0  | 175 |
| CT05303   | SPC530-03                           | 3  | 530  | 539,6  | 4  | 3535  | 90       | -  | 85 | 474  | 2,0  | 89  | 2,0  | 175 |
| CT05603   | SPC560-03                           | 3  | 560  | 569,6  | 4  | 3535  | 90       | -  | 85 | 504  | 2,0  | 89  | 2,0  | 175 |
| CT06303   | SPC630-03                           | 3  | 630  | 639,6  | 4  | 4040  | 100      | -  | 85 | 574  | 8,5  | 102 | 8,5  | 210 |
| CT08003   | SPC800-03                           | 3  | 800  | 809,6  | 4  | 4545  | 110      | -  | 85 | 737  | 14,5 | 114 | 14,5 | 242 |
| CT10003   | SPC1000-03                          | 3  | 1000 | 1009,6 | 4  | 5050  | 125      | -  | 85 | 937  | 21,0 | 127 | 21,0 | 267 |
| CT12503   | SPC1250-03                          | 3  | 1250 | 1259,6 | 4  | 5050  | 125      | -  | 85 | 1187 | 21,0 | 127 | 21,0 | 267 |

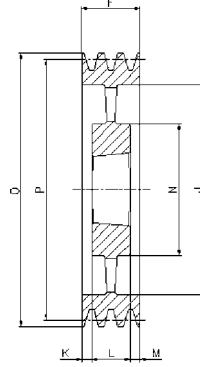




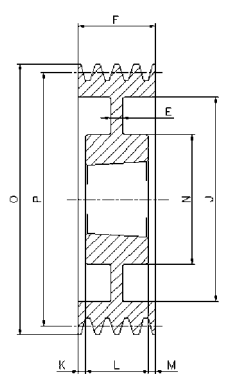
3



4



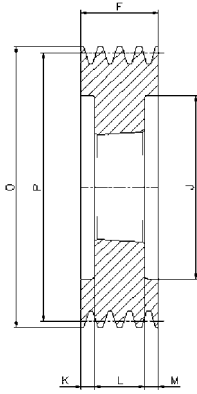
5



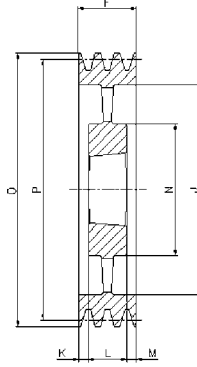
6

# SPC/4

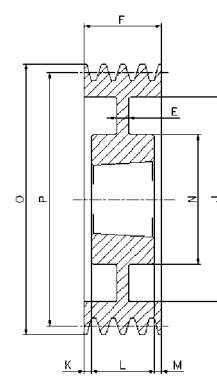
| Cod. interno<br>Internal code<br>Innerer Code<br>Code interne<br>Código interno | Tipo<br>Type<br>Typ<br>Type<br>Tipo | Gole<br>Grooves<br>Rillen<br>Gorges<br>Canales | P           | O      | Forma<br>Form<br>Forme<br>Forme<br>Forma | Bussola<br>Bush<br>Buchse<br>Moyeu<br>Casquillo | ∅<br>MAX | E  | F   | J    | K    | L   | M    | N   |
|---|-------------------------------------|--|-------------|--------|--|---|----------|----|-----|------|------|-----|------|-----|
| CT02004   | SPC200-04                           | 4  | <b>200</b>  | 209,6  | 3  | 3020  | 75       | -  | 111 | 144  | 30,0 | 51  | 30,0 | -   |
| CT02124   | SPC212-04                           | 4  | <b>212</b>  | 221,6  | 3  | 3020  | 75       | -  | 111 | 156  | 30,0 | 51  | 30,0 | -   |
| CT02244   | SPC224-04                           | 4  | <b>224</b>  | 233,6  | 3  | 3535  | 90       | -  | 111 | 168  | 11,0 | 89  | 11,0 | -   |
| CT02364   | SPC236-04                           | 4  | <b>236</b>  | 245,6  | 3  | 3535  | 90       | -  | 111 | 180  | 11,0 | 89  | 11,0 | -   |
| CT02504   | SPC250-04                           | 4  | <b>250</b>  | 259,6  | 3  | 3535  | 90       | -  | 111 | 194  | 11,0 | 89  | 11,0 | -   |
| CT02654   | SPC265-04                           | 4  | <b>265</b>  | 274,6  | 3  | 3535  | 90       | -  | 111 | 209  | 11,0 | 89  | 11,0 | -   |
| CT02804   | SPC280-04                           | 4  | <b>280</b>  | 289,6  | 6  | 3535  | 90       | 18 | 111 | 224  | 11,0 | 89  | 11,0 | 175 |
| CT03004   | SPC300-04                           | 4  | <b>300</b>  | 309,6  | 6  | 3535  | 90       | 20 | 111 | 244  | 11,0 | 89  | 11,0 | 175 |
| CT03154   | SPC315-04                           | 4  | <b>315</b>  | 324,6  | 6  | 3535  | 90       | 20 | 111 | 259  | 11,0 | 89  | 11,0 | 175 |
| CT03354   | SPC335-04                           | 4  | <b>335</b>  | 344,6  | 6  | 3535  | 90       | 20 | 111 | 279  | 11,0 | 89  | 11,0 | 175 |
| CT03554   | SPC355-04                           | 4  | <b>355</b>  | 364,6  | 6  | 3535  | 90       | 20 | 111 | 299  | 11,0 | 89  | 11,0 | 175 |
| CT03754   | SPC375-04                           | 4  | <b>375</b>  | 384,6  | 6  | 3535  | 90       | 25 | 111 | 319  | 11,0 | 89  | 11,0 | 175 |
| CT04004   | SPC400-04                           | 4  | <b>400</b>  | 409,6  | 6  | 3535  | 90       | 18 | 111 | 344  | 11,0 | 89  | 11,0 | 175 |
| CT04254   | SPC425-04                           | 4  | <b>425</b>  | 434,6  | 6  | 3535  | 90       | 18 | 111 | 369  | 11,0 | 89  | 11,0 | 175 |
| CT04504   | SPC450-04                           | 4  | <b>450</b>  | 459,6  | 5  | 3535  | 90       | -  | 111 | 394  | 11,0 | 89  | 11,0 | 175 |
| CT04754   | SPC475-04                           | 4  | <b>475</b>  | 484,6  | 5  | 3535  | 90       | -  | 111 | 419  | 11,0 | 89  | 11,0 | 175 |
| CT05004   | SPC500-04                           | 4  | <b>500</b>  | 509,6  | 5  | 3535  | 90       | -  | 111 | 444  | 11,0 | 89  | 11,0 | 175 |
| CT05304   | SPC530-04                           | 4  | <b>530</b>  | 539,6  | 5  | 4040  | 100      | -  | 111 | 474  | 4,5  | 102 | 4,5  | 210 |
| CT05604   | SPC560-04                           | 4  | <b>560</b>  | 569,6  | 5  | 4040  | 100      | -  | 111 | 504  | 4,5  | 102 | 4,5  | 210 |
| CT06304   | SPC630-04                           | 4  | <b>630</b>  | 639,6  | 4  | 4545  | 110      | -  | 111 | 574  | 1,5  | 114 | 1,5  | 242 |
| CT07104   | SPC710-04                           | 4  | <b>710</b>  | 719,6  | 4  | 5050  | 125      | -  | 111 | 654  | 8,0  | 127 | 8,0  | 267 |
| CT08004   | SPC800-04                           | 4  | <b>800</b>  | 809,6  | 4  | 5050  | 125      | -  | 111 | 737  | 8,0  | 127 | 8,0  | 267 |
| CT10004   | SPC1000-04                          | 4  | <b>1000</b> | 1009,6 | 4  | 5050  | 125      | -  | 111 | 937  | 8,0  | 127 | 8,0  | 267 |
| CT12504   | SPC1250-04                          | 4  | <b>1250</b> | 1259,6 | 4  | 5050  | 125      | -  | 111 | 1187 | 8,0  | 127 | 8,0  | 267 |



3



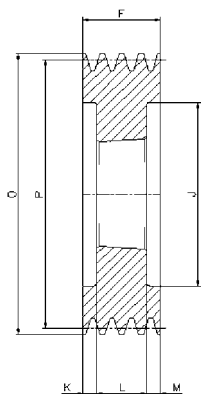
5



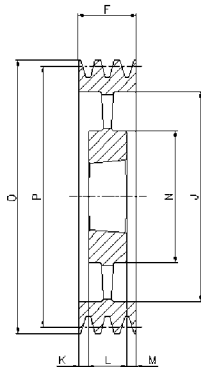
6

# SPC/5

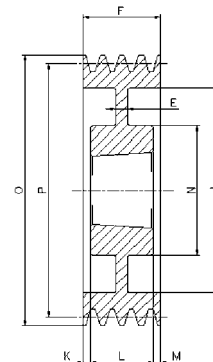
| Cod. interno<br>Internal code<br>Innerer Code<br>Code interne<br>Código interno | Tipo<br>Type<br>Typ<br>Type<br>Tipo | Gole<br>Grooves<br>Rillen<br>Gorges<br>Canales | P           | O      | Forma<br>Form<br>Forme<br>Forme<br>Forma | Bussola<br>Bush<br>Buchse<br>Moyeu<br>Casquillo | ∅<br>MAX | E  | F   | J    | K    | L   | M    | N   |
|---|-------------------------------------|--|-------------|--------|--|---|----------|----|-----|------|------|-----|------|-----|
| CT02005   | SPC200-05                           | 5  | <b>200</b>  | 209,6  | 3  | 3535  | 90       | -  | 136 | 144  | 23,5 | 89  | 23,5 | -   |
| CT02125   | SPC212-05                           | 5  | <b>212</b>  | 221,6  | 3  | 3535  | 90       | -  | 136 | 156  | 23,5 | 89  | 23,5 | -   |
| CT02245   | SPC224-05                           | 5  | <b>224</b>  | 233,6  | 3  | 3535  | 90       | -  | 136 | 168  | 23,5 | 89  | 23,5 | -   |
| CT02365   | SPC236-05                           | 5  | <b>236</b>  | 245,6  | 3  | 3535  | 90       | -  | 136 | 180  | 23,5 | 89  | 23,5 | -   |
| CT02505   | SPC250-05                           | 5  | <b>250</b>  | 259,6  | 3  | 3535  | 90       | -  | 136 | 194  | 23,5 | 89  | 23,5 | -   |
| CT02655   | SPC265-05                           | 5  | <b>265</b>  | 274,6  | 3  | 3535  | 90       | -  | 136 | 209  | 23,5 | 89  | 23,5 | -   |
| CT02805   | SPC280-05                           | 5  | <b>280</b>  | 289,6  | 3  | 3535  | 90       | -  | 136 | 224  | 23,5 | 89  | 23,5 | -   |
| CT03005   | SPC300-05                           | 5  | <b>300</b>  | 309,6  | 6  | 3535  | 90       | 20 | 136 | 244  | 23,5 | 89  | 23,5 | 175 |
| CT03155   | SPC315-05                           | 5  | <b>315</b>  | 324,6  | 6  | 3535  | 90       | 20 | 136 | 259  | 23,5 | 89  | 23,5 | 175 |
| CT03355   | SPC335-05                           | 5  | <b>335</b>  | 344,6  | 6  | 3535  | 90       | 20 | 136 | 279  | 23,5 | 89  | 23,5 | 175 |
| CT03555   | SPC355-05                           | 5  | <b>355</b>  | 364,6  | 6  | 3535  | 90       | 20 | 136 | 299  | 23,5 | 89  | 23,5 | 175 |
| CT03755   | SPC375-05                           | 5  | <b>375</b>  | 384,6  | 6  | 3535  | 90       | 25 | 136 | 319  | 23,5 | 89  | 23,5 | 175 |
| CT04005   | SPC400-05                           | 5  | <b>400</b>  | 409,6  | 6  | 3535  | 90       | 15 | 136 | 344  | 23,5 | 89  | 23,5 | 175 |
| CT04255   | SPC425-05                           | 5  | <b>425</b>  | 434,6  | 6  | 3535  | 90       | 20 | 136 | 369  | 23,5 | 89  | 23,5 | 175 |
| CT04505   | SPC450-05                           | 5  | <b>450</b>  | 459,6  | 5  | 4040  | 100      | -  | 136 | 394  | 17,0 | 102 | 17,0 | 210 |
| CT04755   | SPC475-05                           | 5  | <b>475</b>  | 484,6  | 5  | 4040  | 100      | -  | 136 | 419  | 17,0 | 102 | 17,0 | 210 |
| CT05005   | SPC500-05                           | 5  | <b>500</b>  | 509,6  | 5  | 4040  | 100      | -  | 136 | 444  | 17,0 | 102 | 17,0 | 210 |
| CT05305   | SPC530-05                           | 5  | <b>530</b>  | 539,6  | 5  | 4545  | 110      | -  | 136 | 474  | 11,0 | 114 | 11,0 | 240 |
| CT05605   | SPC560-05                           | 5  | <b>560</b>  | 569,6  | 5  | 4545  | 110      | -  | 136 | 504  | 11,0 | 114 | 11,0 | 242 |
| CT06305   | SPC630-05                           | 5  | <b>630</b>  | 639,6  | 5  | 5050  | 125      | -  | 136 | 574  | 4,5  | 127 | 4,5  | 267 |
| CT07105   | SPC710-05                           | 5  | <b>710</b>  | 719,6  | 5  | 5050  | 125      | -  | 136 | 654  | 4,5  | 127 | 4,5  | 267 |
| CT08005   | SPC800-05                           | 5  | <b>800</b>  | 809,6  | 5  | 5050  | 125      | -  | 136 | 737  | 4,5  | 127 | 4,5  | 267 |
| CT10005   | SPC1000-05                          | 5  | <b>1000</b> | 1009,6 | 5  | 5050  | 125      | -  | 136 | 937  | 4,5  | 127 | 4,5  | 267 |
| CT12505   | SPC1250-05                          | 5  | <b>1250</b> | 1259,6 | 5  | 5050  | 125      | -  | 136 | 1187 | 4,5  | 127 | 4,5  | 267 |



3



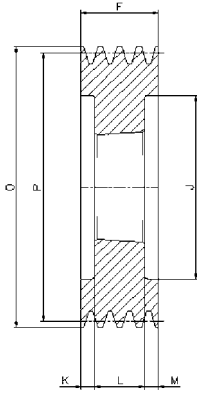
5



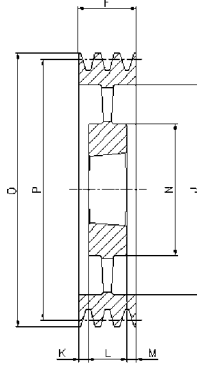
6

# SPC/6

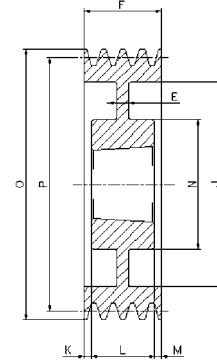
| Cod. interno<br>Internal code<br>Innerer Code<br>Code interne<br>Código interno | Tipo<br>Type<br>Typ<br>Type<br>Tipo | Gole<br>Grooves<br>Rillen<br>Gorges<br>Canales | P           | O      | Forma<br>Form<br>Forme<br>Forme<br>Forma | Bussola<br>Bush<br>Buchse<br>Moyeu<br>Casquillo | ∅<br>MAX | E  | F   | J    | K    | L   | M    | N   |
|---|-------------------------------------|--|-------------|--------|--|---|----------|----|-----|------|------|-----|------|-----|
| CT02006   | SPC200-06                           | 6  | <b>200</b>  | 209,6  | 3  | 3535  | 90       | -  | 162 | 144  | 36,5 | 89  | 36,5 | -   |
| CT02126   | SPC212-06                           | 6  | <b>212</b>  | 221,6  | 3  | 3535  | 90       | -  | 162 | 156  | 36,5 | 89  | 36,5 | -   |
| CT02246   | SPC224-06                           | 6  | <b>224</b>  | 233,6  | 3  | 3535  | 90       | -  | 162 | 168  | 36,5 | 89  | 36,5 | -   |
| CT02366   | SPC236-06                           | 6  | <b>236</b>  | 245,6  | 3  | 3535  | 90       | -  | 162 | 180  | 36,5 | 89  | 36,5 | -   |
| CT02506   | SPC250-06                           | 6  | <b>250</b>  | 259,6  | 3  | 3535  | 90       | -  | 162 | 194  | 36,5 | 89  | 36,5 | -   |
| CT02656   | SPC265-06                           | 6  | <b>265</b>  | 274,6  | 3  | 3535  | 90       | -  | 162 | 209  | 36,5 | 89  | 36,5 | -   |
| CT02806   | SPC280-06                           | 6  | <b>280</b>  | 289,6  | 6  | 3535  | 90       | 20 | 162 | 224  | 36,5 | 89  | 36,5 | 175 |
| CT03006   | SPC300-06                           | 6  | <b>300</b>  | 309,6  | 6  | 3535  | 90       | 20 | 162 | 244  | 36,5 | 89  | 36,5 | 175 |
| CT03156   | SPC315-06                           | 6  | <b>315</b>  | 324,6  | 6  | 3535  | 90       | 20 | 162 | 259  | 36,5 | 89  | 36,5 | 175 |
| CT03356   | SPC335-06                           | 6  | <b>335</b>  | 344,6  | 6  | 3535  | 90       | 20 | 162 | 279  | 36,5 | 89  | 36,5 | 175 |
| CT03556   | SPC355-06                           | 6  | <b>355</b>  | 364,6  | 6  | 3535  | 90       | 20 | 162 | 299  | 36,5 | 89  | 36,5 | 175 |
| CT03756   | SPC375-06                           | 6  | <b>375</b>  | 384,6  | 6  | 4040  | 100      | 30 | 162 | 319  | 30,0 | 102 | 30,0 | 210 |
| CT04006   | SPC400-06                           | 6  | <b>400</b>  | 409,6  | 6  | 4040  | 100      | 30 | 162 | 344  | 30,0 | 102 | 30,0 | 210 |
| CT04256   | SPC425-06                           | 6  | <b>425</b>  | 434,6  | 6  | 4040  | 100      | 30 | 162 | 369  | 30,0 | 102 | 24,0 | 210 |
| CT04506   | SPC450-06                           | 6  | <b>450</b>  | 459,6  | 6  | 4545  | 110      | 30 | 162 | 394  | 24,0 | 114 | 24,0 | 242 |
| CT04756   | SPC475-06                           | 6  | <b>475</b>  | 484,6  | 6  | 4545  | 110      | 30 | 162 | 419  | 24,0 | 114 | 24,0 | 242 |
| CT05006   | SPC500-06                           | 6  | <b>500</b>  | 509,6  | 5  | 4545  | 110      | -  | 162 | 444  | 24,0 | 114 | 24,0 | 242 |
| CT05306   | SPC530-06                           | 6  | <b>530</b>  | 539,6  | 5  | 5050  | 125      | -  | 162 | 474  | 17,5 | 114 | 17,5 | 265 |
| CT05606   | SPC560-06                           | 6  | <b>560</b>  | 569,6  | 5  | 5050  | 125      | -  | 162 | 504  | 17,5 | 127 | 17,5 | 267 |
| CT06306   | SPC630-06                           | 6  | <b>630</b>  | 639,6  | 5  | 5050  | 125      | -  | 162 | 574  | 17,5 | 127 | 17,5 | 267 |
| CT07106   | SPC710-06                           | 6  | <b>710</b>  | 719,6  | 5  | 5050  | 125      | -  | 162 | 654  | 17,5 | 127 | 17,5 | 267 |
| CT08006   | SPC800-06                           | 6  | <b>800</b>  | 809,6  | 5  | 5050  | 125      | -  | 162 | 737  | 17,5 | 127 | 17,5 | 267 |
| CT10006   | SPC1000-06                          | 6  | <b>1000</b> | 1009,6 | 5  | 5050  | 125      | -  | 162 | 937  | 17,5 | 127 | 17,5 | 267 |
| CT12506   | SPC1250-06                          | 6  | <b>1250</b> | 1259,6 | 5  | 5050  | 125      | -  | 162 | 1187 | 17,5 | 127 | 17,5 | 267 |



3



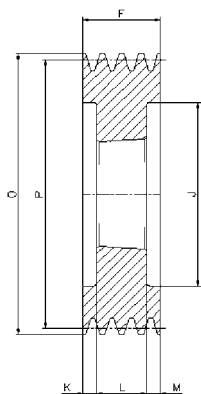
5



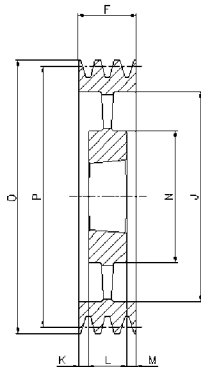
6

# SPC/8

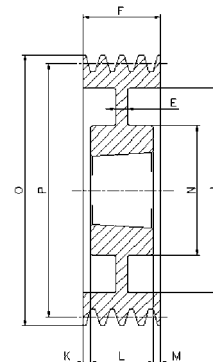
| Cod. interno<br>Internal code<br>Innerer Code<br>Code interne<br>Código interno | Tipo<br>Type<br>Typ<br>Type<br>Tipo | Gole<br>Grooves<br>Rillen<br>Gorges<br>Canales | P           | O      | Forma<br>Form<br>Forme<br>Forme<br>Forma | Bussola<br>Bush<br>Buchse<br>Moyeu<br>Casquillo | Ø<br>MAX | E  | F   | J    | K    | L   | M    | N   |
|---|-------------------------------------|--|-------------|--------|--|---|----------|----|-----|------|------|-----|------|-----|
| CT02008   | SPC200-08                           | 8  | <b>200</b>  | 209,6  | 3  | 3535  | 90       | -  | 213 | 144  | 62,0 | 89  | 62,0 | -   |
| CT02128   | SPC212-08                           | 8  | <b>212</b>  | 221,6  | 3  | 3535  | 90       | -  | 213 | 156  | 62,0 | 89  | 62,0 | -   |
| CT02248   | SPC224-08                           | 8  | <b>224</b>  | 233,6  | 3  | 3535  | 90       | -  | 213 | 168  | 62,0 | 89  | 62,0 | -   |
| CT02368   | SPC236-08                           | 8  | <b>236</b>  | 245,6  | 3  | 3535  | 90       | -  | 213 | 180  | 62,0 | 89  | 62,0 | -   |
| CT02508   | SPC250-08                           | 8  | <b>250</b>  | 259,6  | 3  | 3535  | 90       | -  | 213 | 194  | 62,0 | 89  | 62,0 | -   |
| CT02658   | SPC265-08                           | 8  | <b>265</b>  | 274,6  | 3  | 3535  | 90       | -  | 213 | 209  | 62,0 | 89  | 62,0 | -   |
| CT02808   | SPC280-08                           | 8  | <b>280</b>  | 289,6  | 3  | 3535  | 90       | -  | 213 | 224  | 62,0 | 89  | 62,0 | -   |
| CT03008   | SPC300-08                           | 8  | <b>300</b>  | 309,6  | 3  | 4040  | 100      | -  | 213 | 244  | 55,5 | 102 | 55,5 | -   |
| CT03158   | SPC315-08                           | 8  | <b>315</b>  | 324,6  | 3  | 4040  | 100      | -  | 213 | 259  | 55,5 | 102 | 55,5 | -   |
| CT03358   | SPC335-08                           | 8  | <b>335</b>  | 344,6  | 6  | 4040  | 100      | 50 | 213 | 279  | 55,5 | 102 | 55,5 | 210 |
| CT03558   | SPC355-08                           | 8  | <b>355</b>  | 364,6  | 6  | 4040  | 100      | 40 | 213 | 299  | 55,5 | 102 | 55,5 | 210 |
| CT03758   | SPC375-08                           | 8  | <b>375</b>  | 384,6  | 6  | 4545  | 110      | 30 | 213 | 319  | 49,5 | 114 | 49,5 | 242 |
| CT04008   | SPC400-08                           | 8  | <b>400</b>  | 409,6  | 6  | 4545  | 110      | 30 | 213 | 344  | 49,5 | 114 | 49,5 | 242 |
| CT04258   | SPC425-08                           | 8  | <b>425</b>  | 434,6  | 6  | 4545  | 110      | 30 | 213 | 369  | 49,5 | 114 | 49,5 | 240 |
| CT04508   | SPC450-08                           | 8  | <b>450</b>  | 459,6  | 6  | 5050  | 125      | 30 | 213 | 394  | 43,0 | 127 | 43,0 | 267 |
| CT04758   | SPC475-08                           | 8  | <b>475</b>  | 484,6  | 6  | 5050  | 125      | 30 | 213 | 419  | 43,0 | 127 | 43,0 | 267 |
| CT04998   | SPC500-08                           | 8  | <b>500</b>  | 509,6  | 6  | 5050  | 125      | 30 | 213 | 444  | 43,0 | 127 | 43,0 | 267 |
| CT05308   | SPC530-08                           | 8  | <b>530</b>  | 539,6  | 6  | 5050  | 125      | 30 | 213 | 474  | 43,0 | 127 | 43,0 | 267 |
| CT05608   | SPC560-08                           | 8  | <b>560</b>  | 569,6  | 5  | 5050  | 125      | -  | 213 | 504  | 43,0 | 127 | 43,0 | 267 |
| CT06308   | SPC630-08                           | 8  | <b>630</b>  | 639,6  | 5  | 5050  | 125      | -  | 213 | 574  | 43,0 | 127 | 43,0 | 267 |
| CT07108   | SPC710-08                           | 8  | <b>710</b>  | 719,6  | 5  | 5050  | 125      | -  | 213 | 654  | 43,0 | 127 | 43,0 | 267 |
| CT08008   | SPC800-08                           | 8  | <b>800</b>  | 809,6  | 5  | 5050  | 125      | -  | 213 | 737  | 43,0 | 127 | 43,0 | 267 |
| CT09998   | SPC1000-08                          | 8  | <b>1000</b> | 1009,6 | 5  | 5050  | 125      | -  | 213 | 937  | 43,0 | 127 | 43,0 | 267 |
| CT12508   | SPC1250-08                          | 8  | <b>1250</b> | 1259,6 | 5  | 5050  | 125      | -  | 213 | 1187 | 43,0 | 127 | 43,0 | 267 |



3



5



6

# SPC/10

| Cod. interno<br>Internal code<br>Innerer Code<br>Code interne<br>Código interno | Tipo<br>Type<br>Typ<br>Type<br>Tipo | Gole<br>Grooves<br>Rillen<br>Gorges<br>Canales | P           | O      | Forma<br>Form<br>Forme<br>Forme<br>Forma | Bussola<br>Bush<br>Buchse<br>Moyeu<br>Casquillo | ∅<br>MAX | E  | F   | J    | K    | L   | M    | N   |
|---|-------------------------------------|--|-------------|--------|--|---|----------|----|-----|------|------|-----|------|-----|
| CT0250X   | SPC250-10                           | 10   | <b>250</b>  | 259,6  | 3  | 4040  | 100      | -  | 264 | 194  | 81,0 | 102 | 81,0 | -   |
| CT0280X   | SPC280-10                           | 10   | <b>280</b>  | 289,6  | 3  | 4040  | 100      | -  | 264 | 224  | 81,0 | 102 | 81,0 | -   |
| CT0300X   | SPC300-10                           | 10   | <b>300</b>  | 309,6  | 3  | 4545  | 110      | -  | 264 | 244  | 75,0 | 114 | 75,0 | -   |
| CT0315X   | SPC315-10                           | 10   | <b>315</b>  | 324,6  | 3  | 4545  | 110      | -  | 264 | 259  | 75,0 | 114 | 75,0 | -   |
| CT0355X   | SPC355-10                           | 10   | <b>355</b>  | 364,6  | 3  | 4545  | 110      | -  | 264 | 299  | 75,0 | 114 | 75,0 | -   |
| CT0375X   | SPC375-10                           | 10   | <b>375</b>  | 384,6  | 3  | 4545  | 110      | -  | 264 | 316  | 75,0 | 114 | 75,0 | -   |
| CT0400X   | SPC400-10                           | 10   | <b>400</b>  | 409,6  | 6  | 5050  | 125      | 70 | 264 | 344  | 68,5 | 127 | 68,5 | 267 |
| CT0450X   | SPC450-10                           | 10   | <b>450</b>  | 459,6  | 6  | 5050  | 125      | 40 | 264 | 394  | 68,5 | 127 | 68,5 | 267 |
| CT0500X   | SPC500-10                           | 10   | <b>500</b>  | 509,6  | 6  | 5050  | 125      | 40 | 264 | 444  | 68,5 | 127 | 68,5 | 267 |
| CT0560X   | SPC560-10                           | 10   | <b>560</b>  | 569,6  | 5  | 5050  | 125      | -  | 264 | 504  | 68,5 | 127 | 68,5 | 267 |
| CT0630X   | SPC630-10                           | 10   | <b>630</b>  | 639,6  | 5  | 5050  | 125      | -  | 264 | 574  | 68,5 | 127 | 68,5 | 267 |
| CT0710X   | SPC710-10                           | 10   | <b>710</b>  | 719,6  | 5  | 5050  | 125      | -  | 264 | 654  | 68,5 | 127 | 68,5 | 267 |
| CT0800X   | SPC800-10                           | 10   | <b>800</b>  | 809,6  | 5  | 5050  | 125      | -  | 264 | 737  | 68,5 | 127 | 68,5 | 267 |
| CT1000X   | SPC1000-10                          | 10   | <b>1000</b> | 1009,6 | 5  | 5050  | 125      | -  | 264 | 937  | 68,5 | 127 | 68,5 | 267 |
| CT1250X   | SPC1250-10                          | 10   | <b>1250</b> | 1259,6 | 5  | 5050  | 125      | -  | 264 | 1187 | 68,5 | 127 | 68,5 | 267 |